

Figure 1. HF Series 150 LB. Discharge Head with *Threaded Column Connection*

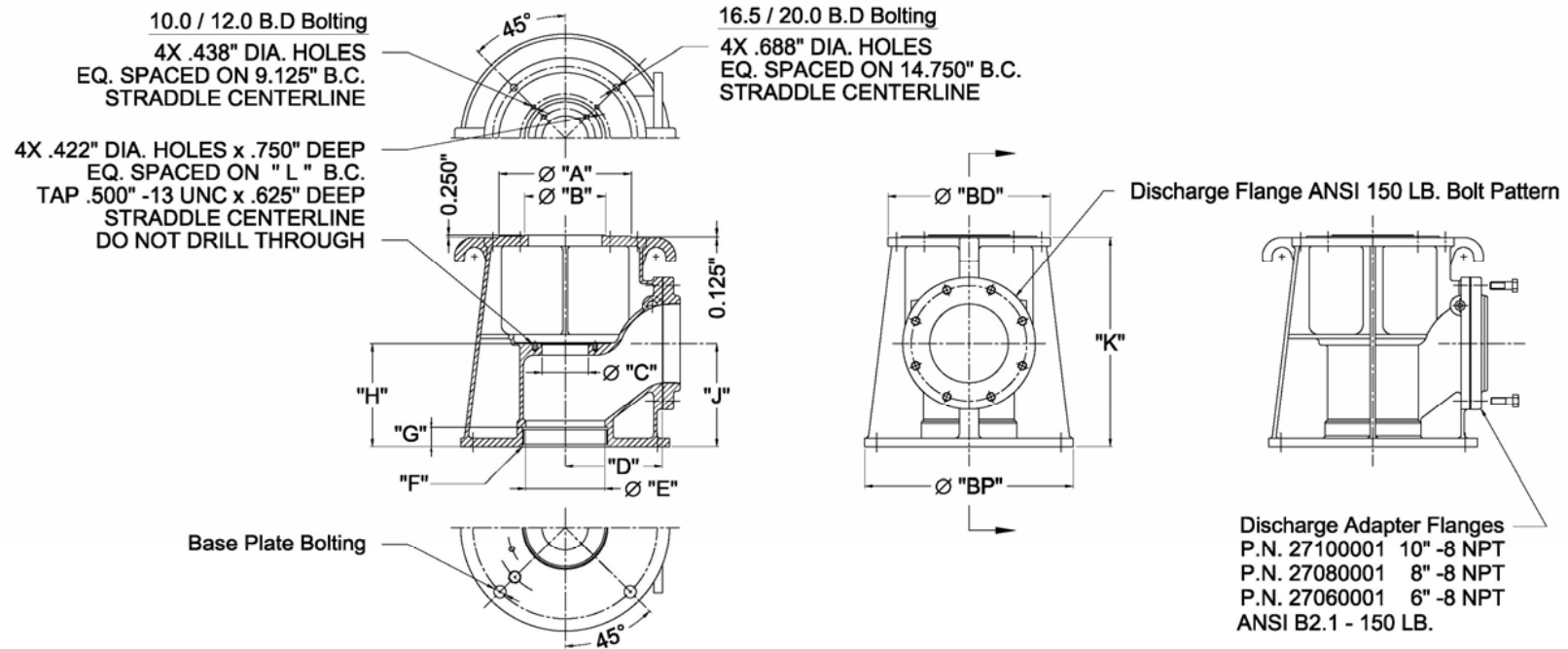


Table 1. HF Series 150 LB. Dimensions

Model	Part No.	"BD"	"BP"	"A"	"B"	"C"	"D"	"E"	"F"	"G"	"H"	"J"	"K"	Discharge Flange 150 LB. FF			"L"	Wt.
														O.D.	Holes	B.C.		
HF-12"	2112HF01	20	25.00	13.497	N/A	5.560	14.00	12.19	12 -8 NPS	2.50	12.13	11.94	23.00	19.00	12X .875 -9 UNC	17.00	7.125	630
HF-10S	2110HF02	16.5 / 20.0	21.25	13.497	N/A	4.685	9.88	10.21	10 -8 NPS	2.50	10.63	10.63	21.50	16.00	12X .875 -9 UNC	14.25	6.125	310
HF-10L	2110HF03	16.5 / 20.0	21.25	13.497	N/A	5.560	9.88	10.21	10 -8 NPS	2.50	10.63	10.63	21.50	16.00	12X .875 -9 UNC	14.25	7.125	311
*HF-8"	2108HF01	12.0 / 16.5	21.50	13.497	8.247	4.685	9.88	8.06	8 -8 NPS	2.00	10.63	10.63	21.50	13.50	8X .750 -10 UNC	11.75	6.125	279
*HF-6"	2106HF01	12.0 / 16.5	19.50	13.497	8.247	4.685	9.88	6.06	6 -8 NPS	1.75	10.63	10.63	21.50	11.00	8X .750 -10 UNC	9.50	6.125	262
HF-4"	2104HF01	10.0 / 12.0	19.50	N/A	8.247	4.685	9.88	4.06	4 -8 NPS	1.75	10.63	10.63	21.50	9.00	8X .625 -11 UNC	7.50	6.125	186

**Base Plate Bolting**

**HF-4 - HF-6**

4X 1.125" Dia. Holes EQ. Spaced On 17.00" Dia. B.C.

**HF-8 - HF-10**

4X 1.125" Dia. Holes EQ. Spaced On 18.75" Dia. B.C.

**HF-12**

4X 1.500" Dia. Holes EQ. Spaced On 22.75" Dia. B.C.

\*HF-8" and \*HF-6" Equipped with Dual Registers and Bolting for 12.0 and 16.5 B.D. Mounting.

Material Grade: Ductile Iron ASTM A536 GR 65-45-12

All dimensions are in inches and weights in lbs.

**SPECIFICATIONS ARE SUBJECT TO CHANGE WITHOUT NOTICE.**

Figure 1. HF Series 300 LB. Discharge Head with *Threaded Column Connection*

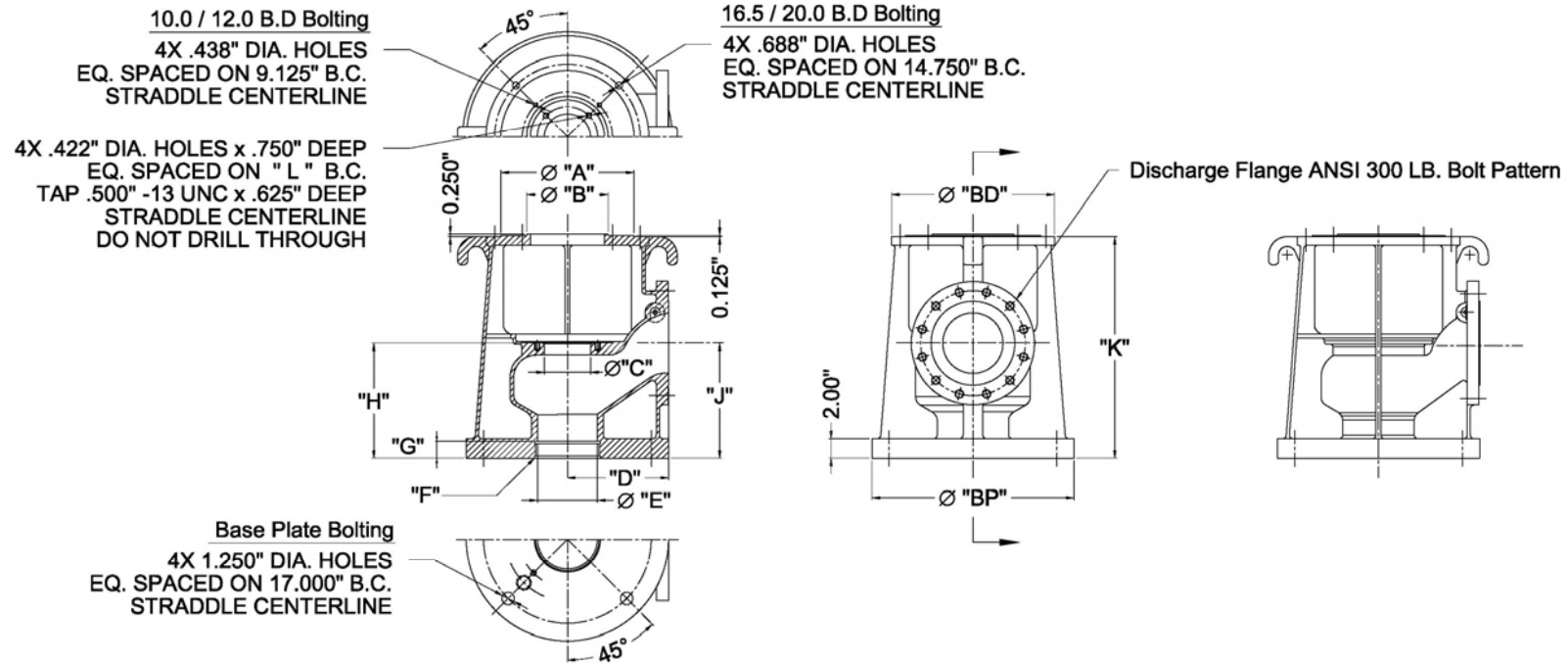


Table 1. HF Series 300 LB. Dimensions

Model	Part No.	"BD"	"BP"	"A"	"B"	"C"	"D"	"E"	"F"	"G"	"H"	"J"	"K"	Discharge Flange 300 LB. RF			"L"	Wt.
														O.D.	Holes	B.C.		
*HF-6"	2106HF02	12.0 / 16.5	20.50	13.497	8.247	4.685	10.25	6.06	6 -8 NPS	1.75	11.75	11.75	22.63	12.50	12X .750 -10 UNC	10.63	6.125	370
HF-4"	2104HF03	10.0 / 12.0	20.50	N/A	8.247	4.685	10.25	4.06	4 -8 NPS	1.75	11.75	11.75	22.63	10.00	8X .750 -10 UNC	7.88	6.125	285

\*HF-6" Equipped with Dual Registers and Bolting for 12.0 and 16.5 B.D. Mounting.

Material Grade: Ductile Iron ASTM A536 GR 65-45-12

All dimensions are in inches and weights in lbs.

Figure 1. HF/A Series Discharge Head with Threaded Column Connection

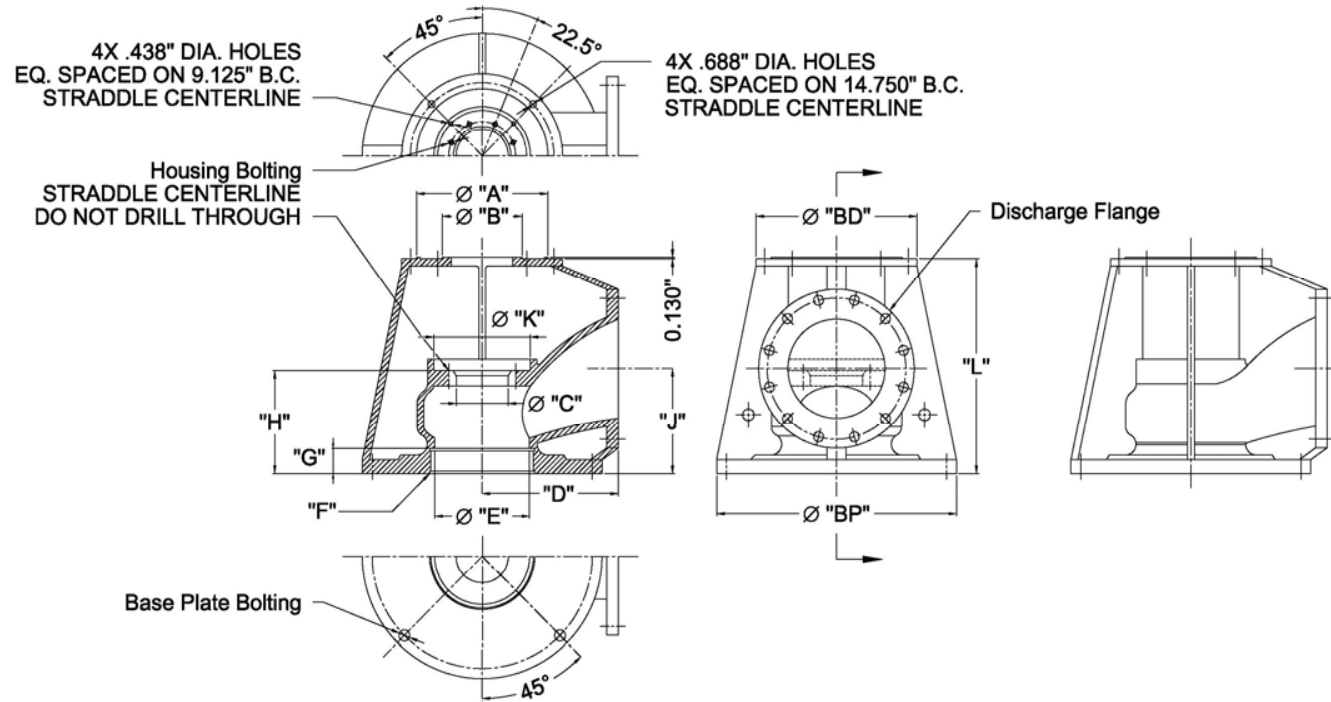


Table 1. HF/A Dimensions

Model	Part No.	"BD"	"BP"	"A"	"B"	"C"	"D"	"E"	"F"	"G"	"H"	"J"	"K"	Discharge Flange Specifications			"L"	Wt.
														O.D.	Holes	B.C.		
HF/A-10	2110AG01	16.50	24.63	13.497	N/A	5.367	14.00	9.72	10 -8 NPS	2.50	10.39	10.56	9.94	16.00	12X 1.000	14.25	21.63	474
HF/A-8	2108AG01	16.50	21.25	13.497	8.247	3.500	10.50	8.44	8 -8 NPS	2.00	9.09	8.75	6.31	13.50	8X 0.875	11.75	17.75	304
<b>HF/A-10</b>										<b>HF/A-8</b>								
<b>Base Plate Bolting</b> 4X 1.125" Dia. Holes Equally Spaced On 22.63" Dia. B.C.										<b>Base Plate Bolting</b> 4X 1.000" Dia. Holes Equally Spaced On 18.75" Dia. B.C.								
<b>Housing Bolting</b> 8X .500" -13 UNC x 1.000" Deep Equally Spaced On 6.88" Dia. B.C.										<b>Housing Bolting</b> 8X .375" -16 UNC x .625" Deep Equally Spaced On 4.75" Dia. B.C.								

Material Grade: Cast Iron ASTM A48 CLS 30  
All dimensions are in inches and weights in lbs.

SPECIFICATIONS ARE SUBJECT TO CHANGE WITHOUT NOTICE.

Figure 1. HF/SDH Series Discharge Head with Column Flange Connection.

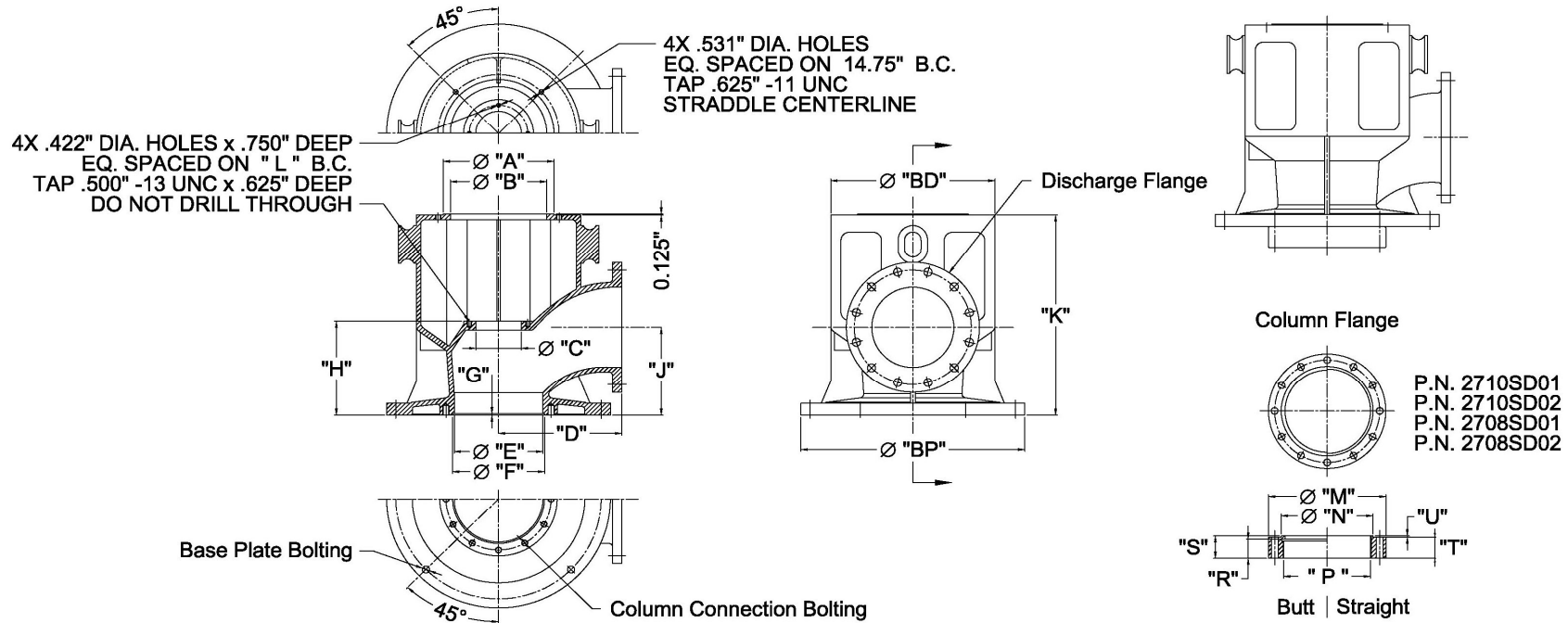


Table 1. HF/SDH Dimensions

Model	Part No.	"BD"	"BP"	"A"	"B"	"C"	"D"	"E"	"F"	"G"	"H"	"J"	"K"	Discharge Flange Specifications			"L"	Wt.
														O.D.	Holes	B.C.		
SDH-10	2110SD01	20.00	27.25	13.499	11.75	5.560	15.00	10.80	11.183	0.197	11.75	11.00	25.00	16.00	12X 1.000	14.25	7.125	572
SDH-8	2108SD01	16.50	23.87	13.499	10.19	4.690	13.13	8.74	9.059	0.197	10.19	8.50	22.31	13.63	8X .875	11.75	6.125	342
<b>SDH-10</b>										<b>SDH-8</b>								
<b>Base Plate Bolting</b>										<b>Base Plate Bolting</b>								
4X .875" Dia. Holes Equally Spaced on 25.00" Dia. B.C.										4X .875" Dia. Holes Equally Spaced on 21.25" Dia. B.C.								
<b>Column Connection Bolting</b>										<b>Column Connection Bolting</b>								
12X .750" -10 UNC Equally Spaced on 12.81" Dia. B.C.										10X .750" -10 UNC Equally Spaced on 10.25" Dia. B.C.								

Table 2. HF/SDH Column Flange Dimensions

Model	Part No.	"M"	"N"	"P"	"R"	"S"	"T"	"U"	Wt.	Column Threaded Flange Bolting
SDH-10B	2710SD01	14.31	11.19	10" -8 NPS	2.41 Butt	2.81	2.66	0.16	47	12X .826" Dia. Holes Equally Spaced on 12.81" Dia. B.C.
SDH-10S	2710SD02	14.31	11.19	10" -8 NPS	Straight Thr.	2.81	2.66	0.16	46	12X .826" Dia. Holes Equally Spaced on 12.81" Dia. B.C.
SDH-8B	2708SD01	11.63	9.06	8" -8 NPS	2.23 Butt	2.63	2.44	0.19	29	10X .788" Dia. Holes Equally Spaced on 10.25" Dia. B.C.
SDH-8S	2708SD02	11.63	9.06	8" -8 NPS	Straight Thr.	2.63	2.44	0.19	28	10X .788" Dia. Holes Equally Spaced on 10.25" Dia. B.C.

Material Grade: Ductile Iron ASTM A536 GR 65-45-12  
All Dimensions in Inches and Weights in lbs.

SPECIFICATIONS ARE SUBJECT TO CHANGE WITHOUT NOTICE.