

SYM.

REVISION

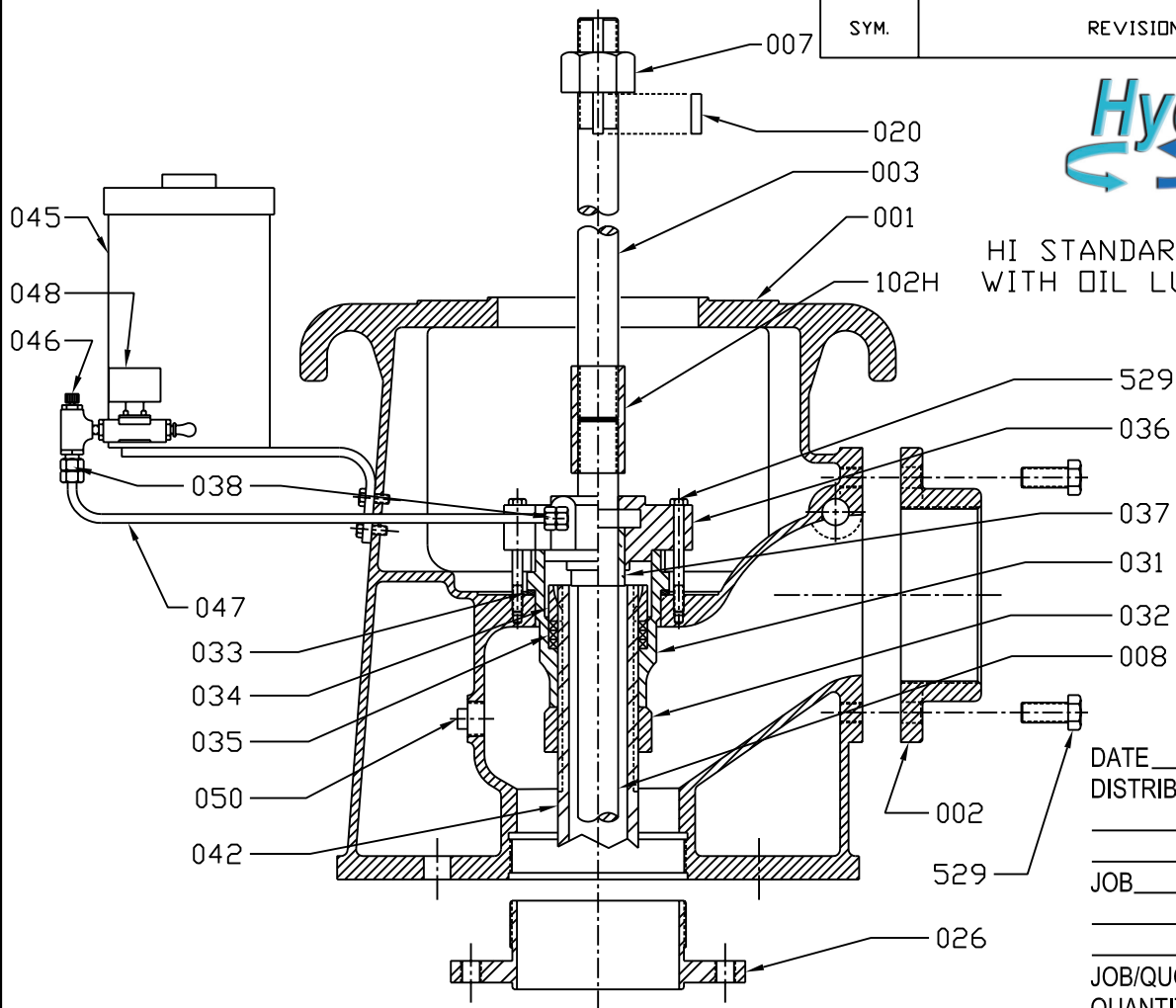
DATE

BY

Hydroflo pumps

A **Taco** COMPANY

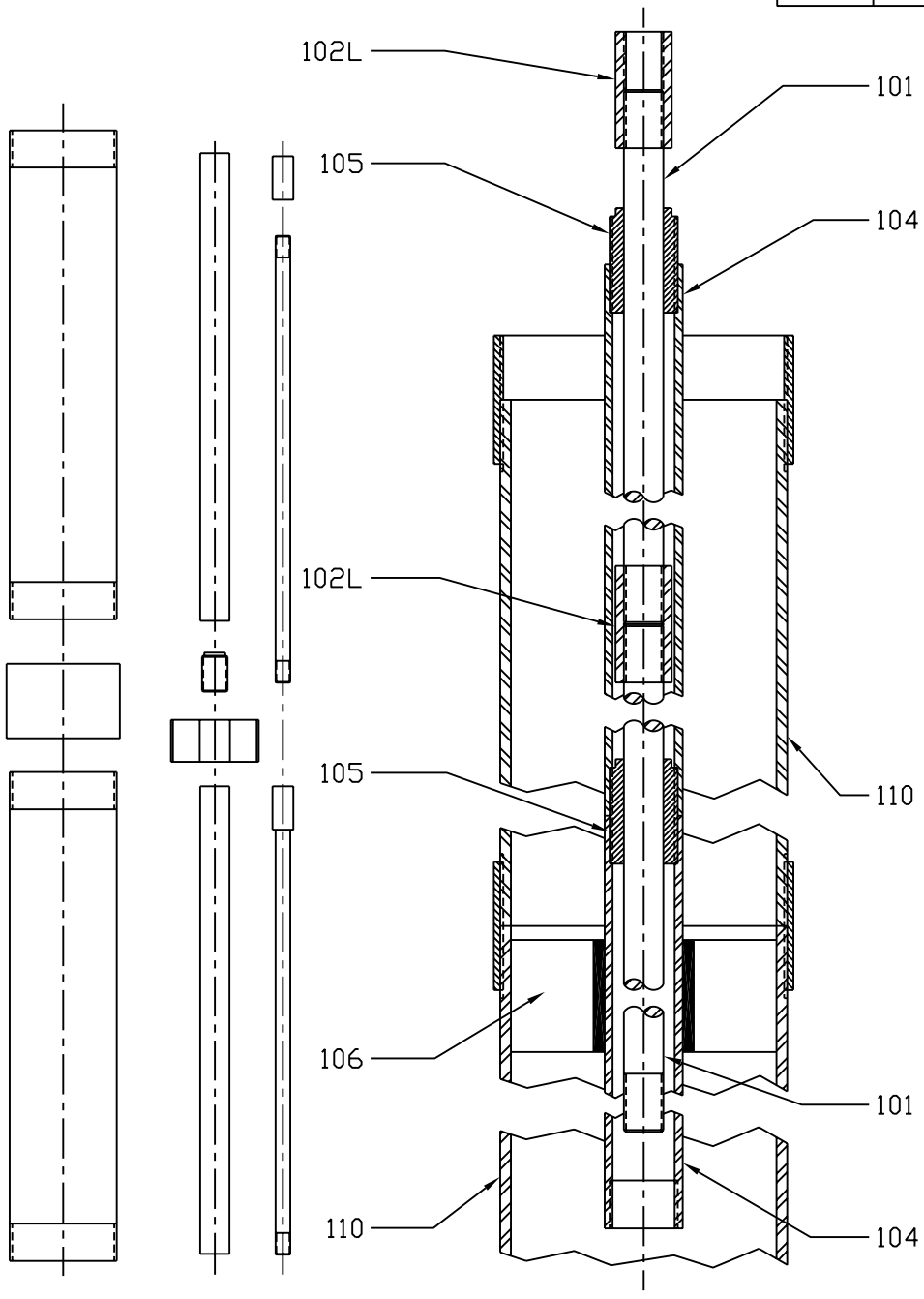
HI STANDARD DISCHARGE HEAD
WITH OIL LUBE PACKING GLAND



DATE _____
DISTRIBUTOR _____
JOB _____
JOB/QUOTE # _____
QUANTITY _____

CATALOG NUMBER	QTY.	PART NAME	STANDARD MATERIAL (A.S.T.M. DESIGNATION)	SPECIFICATION REQUIREMENT
001	1	DUCTILE IRON HEAD, DISCHARGE	A-536 GR. 65-45-12	
002		FLANGE, DISCHARGE (THREADED)	CAST IRON A-48 CLS 30	
003		SHAFT, MOTOR	STEEL A-108 GR 1045	
005		COUPLING, FLG'D MOTOR (NOT SHOWN)	STEEL	
007		NUT, HEAD	BRONZE B-584-836	
008	1	SHAFT. HEAD	STEEL A-108 GR 1045	
010D		GASKET, DISCHARGE RING (NOT SHOWN)	RUBBER	
011		GUARD, SAFETY (NOT SHOWN)	STEEL	
020		KEY, GIB	COMMERCIAL	
529	4	BOLTS, DUST COVER	COMMERCIAL	
026		FLANGE, ADAPTER	STEEL	
529		BOLT, DISCHARGE FLANGE	COMMERCIAL	
031	1	BOX, PACKING	CAST IRON A-48 CLS 30	
032	1	LOCKNUT, OIL TUBE	BRONZE B-584-836	
033	1	GASKET, PACKING BOX	COPPER	
034	1	FOLLOWER, PACKING	BRONZE B-584-836	
035	3	RING, PACKING	GRAPHITE	
036	1	COVER, DUST	CAST IRON A-48 CLS 30	
037	1	BEARING, DUST COVER	BRONZE B-584-836	
038	2	FITTINGS, OIL LINE	BRASS	
042	1	TUBE, EXTENSION	STEEL A-53 SCH. 80 XS	
045		POT, OIL	FAB. STEEL	
046		DRIPPER, OIL	BRASS	
047		LINE, OIL	COPPER	
048		OILER, SOLENOID	COMMERCIAL	
050	1	PLUG, PRE-LUBE	COMMERCIAL	
102H		COUPLING, HEAD SHAFT	STEEL A-108 GR 1018	
118		RING, ALIGNMENT (NOT SHOWN)	STEEL A-53B	
529		BOLTS, FOUND. PLATE (NOT SHOWN)	COMMERCIAL	

A-00039



OIL LUBE THREADED COLUMN

DATE _____
 DISTRIBUTOR _____

 JOB _____

 JOB/QUOTE # _____
 QUANTITY _____

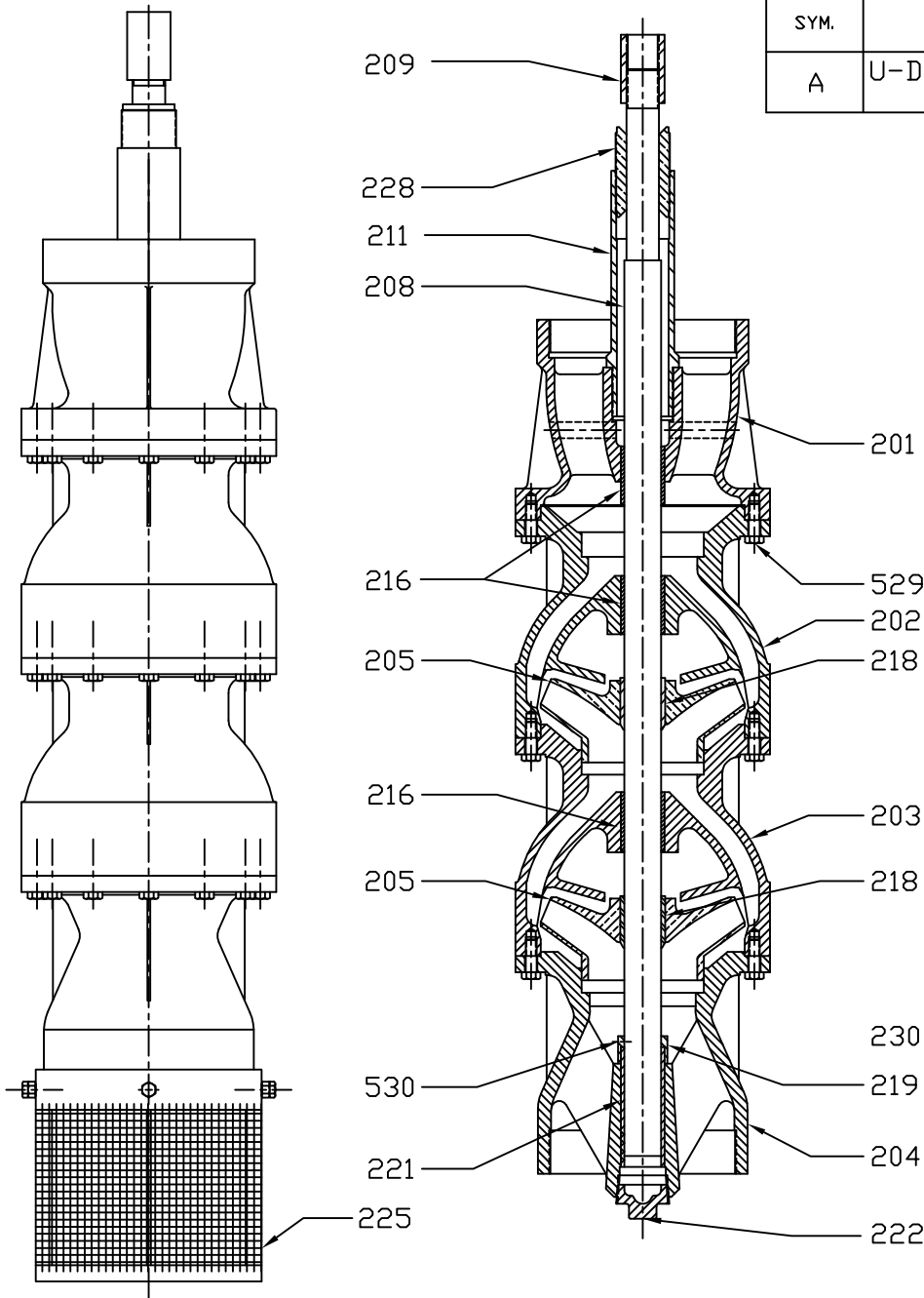
CATALOG NUMBER	QTY.	PART NAME	STANDARD MATERIAL (A.S.T.M. DESIGNATION)	SPECIFICATION REQUIREMENT
101		SHAFT, LINE	STEEL A-108 GR 1045	
102L		COUPLING, LINE SHAFT	STEEL A-108 GR 1018	
104		TUBE, OIL	STEEL A-53 SCH. 80XS	
105		BEARING, LINE SHAFT (COUPLING)	BRONZE B-123 OIL LUBE	
106		SPIDER, CENTERING	NEOPRENE	
110		PIPE, COLUMN (THREADED)	STEEL A-53B	

SYM.	REVISION	DATE	BY
A	U-DATED MATERIAL SPECS & SCREENS	11-22-06	B.S.

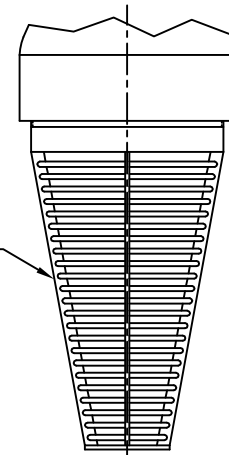


A Taco COMPANY

OIL LUBE BOWL ASSEMBLY & PARTS LISTING



DATE _____
DISTRIBUTOR _____
JOB _____
JOB/QUOTE # _____
QUANTITY _____



CATALOG NUMBER	QTY.	PART NAME	STANDARD MATERIAL (A.S.T.M. DESIGNATION)	SPECIFICATION REQUIREMENT
201	1	CASE, DISCHARGE HOUSING	CAST IRON A-48 CLS 30	
202	1	BOWL, TOP HOUSING	CAST IRON A-48 CLS 30	
203		BOWL, INTERMEDIATE HOUSING	CAST IRON A-48 CLS 30	
204	1	CASE, SUCTION HOUSING	CAST IRON A-48 CLS 30	
205		IMPELLER (ENCLOSED) (SEMI-OPEN)	SS GR. 304 or 201	
208	1	SHAFT, BOWL	SS GR. 416	
209	1	COUPLING, BOWL SHAFT	SS GR. 416	
211	1	ADAPTOR TUBE	STEEL A-108 GR. 1018	
216		BEARING, DISCH. (LOWER) & BOWL	BRONZE B-584-836	
218		COLLET, IMPELLER	SS GR. 416	
219	1	COLLAR, SAND	SS GR. 416	
530	1	SET SCREW, SAND COLLAR	SS GR. 18-8	
221	1	BEARING, SUCTION CASE	BRONZE B-584-836	
222	1	PLUG, GREASE	COMMERCIAL	
529		SCREW, CAP	COMMERCIAL 18-8 SS	
225		SCREEN, BASKET (CLIP ON)	SS GR. 304	
228	1	BEARING, ADAPTOR TUBE	BRONZE B-505-932	
230		SCREEN, CONE (THREADED)	FAB, SS GR. 304	