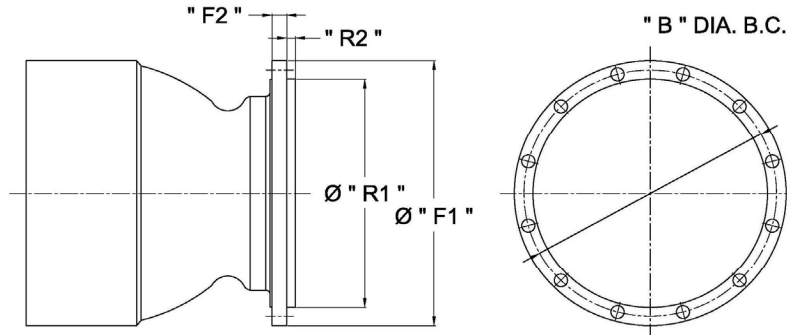


Figure 1. Top Bowl Flange



" N " X " H " DIA. HOLES EQUALLY SPACED ON " B " DIA. BOLT CIRCLE
STRADDLES CENTERLINE

Table 1. Top Bowl and Bearing Stage Flange Specifications

TOP BOWL	FLANGE DIAMETER	FLANGE THICKNESS	REGISTER DIAMETER	REGISTER HEIGHT	BOLTING SPECIFICATIONS		
					NO. OF HOLES	HOLE DIA.	BOLT CIRCLE DIA.
SIZE/MODEL	F1	F2	R1	R2	N	H	B
21HC	19.13	1.10	16.240 +0.000/-0.002	0.374	16	0.886	17.756
21H-BS	22.99	1.50	18.373 +0.000/-0.004	0.197	12	1.125 -7 UNC	21.000
18HC	18.15	1.14	14.801 +0.000/-0.002	0.197	12	0.886	16.516
16MC	15.47	0.98	13.248 +0.000/-0.002	0.315	16	0.571	14.370
16M-BS	15.47	0.98	12.496 +0.000/-0.003	0.375	12	0.748	14.016
16HC	15.47	1.10	12.496 +0.000/-0.002	0.315	12	0.748	14.016
16H-BS	15.47	0.98	12.496 +0.000/-0.002	0.375	12	0.748	14.016
14LC	14.00	0.87	11.744 +0.000/-0.003	*0.315	8	0.807	12.866
14MC	14.00	0.87	11.744 +0.000/-0.002	0.319	8	0.807	12.866
14HC	14.00	1.00	11.744 +0.000/-0.002	*0.413	8	0.807	12.866
14-BS	13.39	0.78	11.126 +0.000/-0.002	0.374	12	0.689	12.126
12CC	11.61	0.77	9.366 +0.000/-0.002	*0.276	12	0.571	10.252
12KC	11.73	0.77	9.366 +0.000/-0.002	*0.276	12	0.571	10.252
12KS	11.73	0.77	9.366 +0.000/-0.002	*0.276	12	0.571	10.252
12LC	11.73	0.75	9.486 +0.000/-0.002	*0.276	8	0.689	10.453
12MC	11.73	0.75	9.366 +0.000/-0.002	0.197	12	0.571	10.252
12HHC	11.77	0.64	10.155 +0.000/-0.002	0.571	12	0.571	10.937
12HHS	11.50	0.64	10.155 +0.000/-0.002	*0.256	12	0.433	10.815
11DM	11.25	0.75	8.868 +0.000/-0.002	0.811	16	0.689	9.937
11LC	11.00	0.75	8.868 +0.000/-0.002	*0.276	8	0.689	9.937
11LHS	11.00	0.75	8.868 +0.000/-0.002	*0.276	8	0.689	9.937
11MC	11.00	0.75	8.868 +0.000/-0.002	*0.276	8	0.689	9.937
11MHS	11.00	0.75	8.868 +0.000/-0.002	*0.276	8	0.689	9.937
11-BS	11.00	0.71	8.868 +0.000/-0.002	0.256	8	0.689	9.937
9EC	9.49	0.63	7.742 +0.000/-0.002	*0.374	12	0.500	8.563
9EH	9.49	0.63	7.742 +0.000/-0.002	*0.374	12	0.500	8.563
9MC	9.49	0.63	7.742 +0.000/-0.002	*0.276	12	0.500	8.563
9HC	9.49	0.71	7.742 +0.000/-0.002	*0.256	12	0.500	8.563
9ZC	9.49	0.63	8.305 +0.000/-0.002	0.374	12	0.433	8.819
9ZS	9.49	0.63	8.305 +0.000/-0.002	*0.374	12	0.433	8.819
8HC	8.19	0.53	6.770 +0.000/-0.002	0.256	12	0.433	7.441
7LC	7.13	0.55	5.746 +0.000/-0.001	0.354	8	0.433	6.496
7MC	7.13	0.55	5.746 +0.000/-0.001	0.354	8	0.433	6.496
7HC	7.13	0.55	5.746 +0.000/-0.001	0.472	8	0.433	6.496
6LC	5.91	0.39	4.644 +0.000/-0.002	*0.276	8	0.374	5.197
6HC	5.55	0.39	4.722 +0.000/-0.002	0.252	8	0.276	5.079
5LC	5.24	0.39	4.250 +0.000/-0.002	0.276	8	0.276	4.748
5MC	5.24	0.39	4.250 +0.000/-0.002	0.256	8	0.276	4.748
5HC	5.24	0.39	4.250 +0.000/-0.002	0.118	8	0.276	4.748

- 1) *Top Bowl Register Height machined to dimension.
- 2) -BS Bearing Stage Flange Dimensions.
- 3) All Dimensions are in Inches.

SPECIFICATIONS ARE SUBJECT TO CHANGE WITHOUT NOTICE.