

Figure 1.

Table 1. Mechanical Data Submersible Turbine Pumps

SIZE/MODEL	MOTOR SIZE	DISCHARGE SIZE - NPT	BOWL ASSEMBLY LENGTHS								STD. BOWL O.D.	BOWL SHAFT DIA.	SINGLE STAGE SHAFT LGTH.
			L0	L	L1	L2	L3	L4	M	C			
<i>All Dimensions are in Inches and Weights in lbs.</i>													
5LL / 5LH	6"	3"	20.20	5.35	4.34	4.57	10.28	3.00	5.50	5.74	5.24	1.00	14.06
		4" MALE	20.20	5.35	5.35	4.57	10.28	3.00	5.50	5.74	5.24	1.00	14.06
5MH	6"	3"	20.20	5.35	4.34	4.57	10.28	3.00	5.50	5.74	5.24	1.00	14.06
		4" MALE	20.20	5.35	5.35	4.57	10.28	3.00	5.50	5.74	5.24	1.00	14.06
5HL / 5HH	6"	3"	20.43	5.35	4.34	4.80	10.28	3.00	5.50	5.74	5.24	1.00	14.30
		4" MALE	20.43	5.35	5.35	4.80	10.28	3.00	5.50	5.74	5.24	1.00	14.30
6LL / 6LH	6"	3"	19.41	3.74	2.72	5.12	10.55	3.00	5.50	6.41	5.91	1.00	15.40
		4" MALE	19.41	3.74	3.74	5.12	10.55	3.00	5.50	6.41	5.91	1.00	15.40
6HL / 6HH	6"	4"	19.55	5.35	4.26	4.72	9.47	3.00	5.35	6.05	5.55	1.00	15.29
7LL / 7LH	6"	4"	22.01	3.62	2.53	5.51	12.87	3.00	5.50	7.63	7.13	1.19	17.92
		6"	22.50	4.11	2.90	5.51	12.87	3.00	5.50	7.63	7.13	1.19	17.92
	8"	4"	24.37	3.62	2.53	5.51	15.24	3.75	7.50	7.63	7.13	1.19	19.53
		6"	24.86	4.11	2.90	5.51	15.24	3.75	7.50	7.63	7.13	1.19	19.53
7ML / 7MH	6"	4"	22.87	3.62	2.53	6.38	12.87	3.00	5.50	7.63	7.13	1.19	18.79
		6"	23.36	4.11	2.90	6.38	12.87	3.00	5.50	7.63	7.13	1.19	18.79
	8"	4"	25.24	3.62	2.53	6.38	15.24	3.75	7.50	7.63	7.13	1.19	20.40
		6"	25.73	4.11	2.90	6.38	15.24	3.75	7.50	7.63	7.13	1.19	20.40
7HL / 7HH	6"	4"	23.58	3.62	2.53	7.09	12.87	3.00	5.50	7.63	7.13	1.19	19.49
		6"	24.07	4.11	2.90	7.09	12.87	3.00	5.50	7.63	7.13	1.19	19.49
	8"	4"	25.95	3.62	2.53	7.09	15.24	3.75	7.50	7.63	7.13	1.19	21.11
		6"	26.44	4.11	2.90	7.09	15.24	3.75	7.50	7.63	7.13	1.19	21.11
8HL / 8HH	6"	6"	30.24	8.86	7.65	7.87	13.50	3.00	5.50	8.59	8.19	1.19	26.94
	8"	6"	33.27	8.86	7.65	7.87	16.54	3.75	7.50	8.59	8.19	1.19	29.22
8XC	6"	6"	24.76	5.61	4.40	7.50	11.65	3.00	5.50	8.00	7.50	1.19	20.64
9CC / 9EC	6"	6"	28.07	4.53	3.32	7.76	15.79	3.00	5.37	10.37	9.49	1.50	24.56
		8"	28.06	4.51	3.20	7.76	15.79	3.00	5.37	10.37	9.49	1.50	24.56
	8"	6"	28.07	4.53	3.32	7.76	15.79	3.75	9.13	10.37	9.49	1.50	23.81
		8"	28.06	4.51	3.20	7.76	15.79	3.75	9.13	10.37	9.49	1.50	23.81
	10"-A	6"	28.07	4.53	3.32	7.76	15.79	4.75	9.13	10.37	9.49	1.50	22.81
		8"	28.06	4.51	3.20	7.76	15.79	4.75	9.13	10.37	9.49	1.50	22.81
9ML / 9MH	6"	6"	28.82	4.53	3.32	8.50	15.79	3.00	5.37	10.37	9.49	1.50	25.31
		8"	28.80	4.51	3.20	8.50	15.79	3.00	5.37	10.37	9.49	1.50	25.31
	8"	6"	28.82	4.53	3.32	8.50	15.79	3.75	9.13	10.37	9.49	1.50	24.56
		8"	28.80	4.51	3.20	8.50	15.79	3.75	9.13	10.37	9.49	1.50	24.56
	10"-A	6"	28.82	4.53	3.32	8.50	15.79	4.75	9.13	10.37	9.49	1.50	23.56
		8"	28.80	4.51	3.20	8.50	15.79	4.75	9.13	10.37	9.49	1.50	23.56
9HL / 9HH	6"	6"	29.67	4.53	3.32	9.35	15.79	3.00	5.37	10.37	9.49	1.50	26.15
		8"	29.65	4.51	3.20	9.35	15.79	3.00	5.37	10.37	9.49	1.50	26.15
	8"	6"	29.67	4.53	3.32	9.35	15.79	3.75	9.13	10.37	9.49	1.50	25.40
		8"	29.65	4.51	3.20	9.35	15.79	3.75	9.13	10.37	9.49	1.50	25.40
	10"-A	6"	29.67	4.53	3.32	9.35	15.79	4.75	9.13	10.37	9.49	1.50	24.40
		8"	29.65	4.51	3.20	9.35	15.79	4.75	9.13	10.37	9.49	1.50	24.40

SPECIFICATIONS ARE SUBJECT TO CHANGE WITHOUT NOTICE.

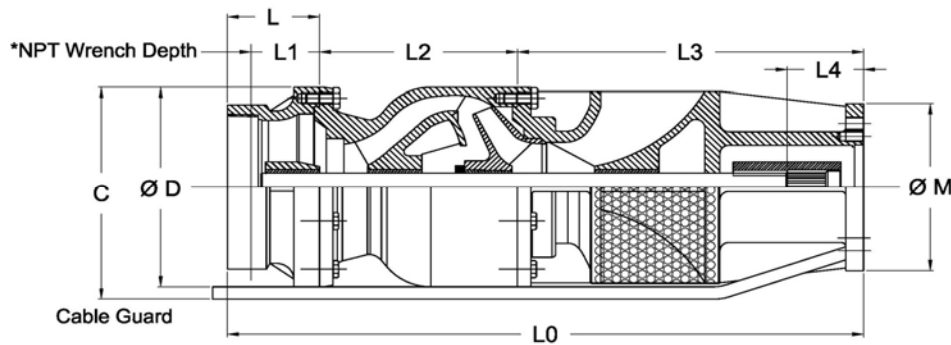


Figure 1.

Table 1. Mechanical Data Submersible Turbine Pumps

SIZE/MODEL	MOTOR SIZE	DISCHARGE SIZE - NPT	BOWL ASSEMBLY LENGTHS <i>All Dimensions are in Inches and Weights in lbs.</i>								STD. BOWL O.D.	BOWL SHAFT DIA.	SINGLE STAGE SHAFT LGTH.
			L0	L	L1	L2	L3	L4	M	C			
11LL / 11LH	8"	6"	32.50	5.12	3.91	8.76	18.62	3.75	9.13	11.88	11.00	1.69	26.88
		8"	32.50	5.12	3.81	8.76	18.62	3.75	9.13	11.88	11.00	1.69	26.88
	10"-A	6"	32.50	5.12	3.91	8.76	18.62	4.75	9.13	11.88	11.00	1.69	25.88
		8"	32.50	5.12	3.81	8.76	18.62	4.75	9.13	11.88	11.00	1.69	25.88
11ML / 11MH	8"	6"	33.78	5.12	3.91	10.04	18.62	3.75	9.13	11.88	11.00	1.69	28.16
		8"	33.78	5.12	3.81	10.04	18.62	3.75	9.13	11.88	11.00	1.69	28.16
	10"-A	6"	33.78	5.12	3.91	10.04	18.62	4.75	9.13	11.88	11.00	1.69	27.16
		8"	33.78	5.12	3.81	10.04	18.62	4.75	9.13	11.88	11.00	1.69	27.16
12CC / 12DC	8"	6"	34.07	5.12	3.91	9.06	**19.89	3.75	9.84	12.49	11.61	1.69	28.45
		8"	34.07	5.12	3.81	9.06	**19.89	3.75	9.84	12.49	11.61	1.69	28.45
	10"-A	*10"	38.20	9.25	7.79	9.06	**19.89	3.75	9.84	12.49	11.61	1.69	32.51
		6"	34.07	5.12	3.91	9.06	**19.89	4.75	9.84	12.49	11.61	1.69	27.45
	10"-B	8"	34.07	5.12	3.81	9.06	**19.89	4.75	9.84	12.49	11.61	1.69	27.45
		*10"	38.20	9.25	7.79	9.06	**19.89	4.75	9.84	12.49	11.61	1.69	31.51
12IC / 12KC	8"	6"	35.05	5.12	3.91	10.04	**19.89	3.75	9.84	12.61	11.73	1.69	29.43
		8"	35.05	5.12	3.81	10.04	**19.89	3.75	9.84	12.61	11.73	1.69	29.43
	10"-A	*10"	39.18	9.25	7.79	10.04	**19.89	3.75	9.84	12.61	11.73	1.69	33.49
		6"	35.05	5.12	3.91	10.04	**19.89	4.75	9.84	12.61	11.73	1.69	28.43
	10"-B	8"	35.05	5.12	3.81	10.04	**19.89	4.75	9.84	12.61	11.73	1.69	28.43
		*10"	39.18	9.25	7.79	10.04	**19.89	4.75	9.84	12.61	11.73	1.69	32.49
12LC	8"	*8"	40.23	9.33	8.02	11.00	**19.89	3.75	9.84	12.61	11.73	1.69	34.50
		*10"	40.19	9.29	7.83	11.00	**19.89	3.75	9.84	12.61	11.73	1.69	34.47
	10"-A	*8"	40.23	9.33	8.02	11.00	**19.89	4.75	9.84	12.61	11.73	1.69	33.50
		*10"	40.19	9.29	7.83	11.00	**19.89	4.75	9.84	12.61	11.73	1.69	33.47
12MC	8"	8"	34.34	5.12	3.81	9.33	**19.89	3.75	9.84	12.63	11.73	1.69	28.72
		*10"	38.48	9.25	7.79	9.33	**19.89	3.75	9.84	12.63	11.73	1.69	32.79
	10"-A	8"	34.34	5.12	3.81	9.33	**19.89	4.75	9.84	12.63	11.73	1.69	27.72
		*10"	38.48	9.25	7.79	9.33	**19.89	4.75	9.84	12.63	11.73	1.69	31.79
12HHC	8"	*8"	40.42	9.25	7.94	11.28	**19.89	3.75	9.84	12.65	11.77	1.69	34.73
		*10"	40.42	9.25	7.79	11.28	**19.89	3.75	9.84	12.65	11.77	1.69	34.73
	10"-A	*8"	40.42	9.25	7.94	11.28	**19.89	4.75	9.84	12.65	11.77	1.69	33.73
		*10"	40.42	9.25	7.79	11.28	**19.89	4.75	9.84	12.65	11.77	1.69	33.73

1. *8" - *10" Discharge Case OL Blank w/ Machined NPT Threads

2. **12" Suction Stage Motor bracket with Adapter Plate. Requires Additional Machining and Drilling of Motor Bracket Flange.

Additional Motor Specifications

Motor Size	Flange	Shaft Size	Shaft Projection
10"	10"-B	1.938	5.000 +/- .016
10"	10"-A	1.688	4.000 +/- .016
8"	8"	1.500	4.000 / 3.990
8"	6"	1.000	2.875/2.869
6"	6"	1.000	2.875/2.870

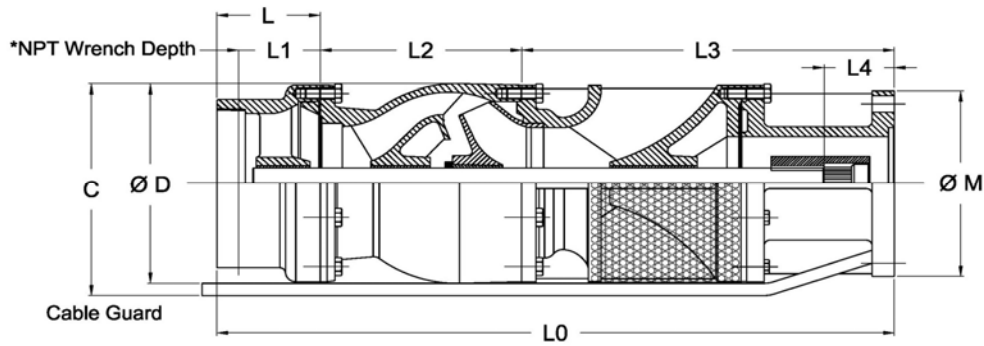


Figure 2.

Table 2. Mechanical Data Submersible Turbine Pumps

SIZE/MODEL	MOTOR SIZE	DISCHARGE SIZE - NPT	BOWL ASSEMBLY LENGTHS <i>All Dimensions are in Inches and Weights in lbs.</i>								STD. BOWL O.D.	BOWL SHAFT DIA.	SINGLE STAGE SHAFT LGTH.
			L0	L	L1	L2	L3	L4	M	C			
14LH	10"-A	10"	44.36	7.00	5.54	12.13	25.24	3.75	9.13	14.88	14.00	2.19	38.19
	10"-B	10"	44.36	7.00	5.54	12.13	25.24	4.75	9.13	14.88	14.00	2.19	37.19
	14"	10"	44.36	7.00	5.54	12.13	25.24	4.75	13.25	14.88	14.00	2.19	37.19
14ML / 14MH	10"-A	10"	45.74	7.00	5.54	13.50	25.24	3.75	9.13	14.88	14.00	2.19	39.56
	10"-B	10"	45.74	7.00	5.54	13.50	25.24	4.75	9.13	14.88	14.00	2.19	38.56
	14"	10"	45.74	7.00	5.54	13.50	25.24	4.75	13.25	14.88	14.00	2.19	38.56
14HL / 14HH	10"-A	10"	45.87	7.00	5.54	13.63	25.24	3.75	9.13	15.10	14.22	2.19	39.70
	10"-B	10"	45.87	7.00	5.54	13.63	25.24	4.75	9.13	15.10	14.22	2.19	38.70
	14"	10"	45.87	7.00	5.54	13.63	25.24	4.75	13.25	15.10	14.22	2.19	38.70

Additional Motor Specifications

Motor Size	Flange	Shaft Size	Shaft Projection
14"	14"	2.750	5.000 +/- .016
12"	12"	1.938	5.000 +/- .016
10"	10"-B	1.938	5.000 +/- .016
10"	10"-A	1.688	4.000 +/- .016

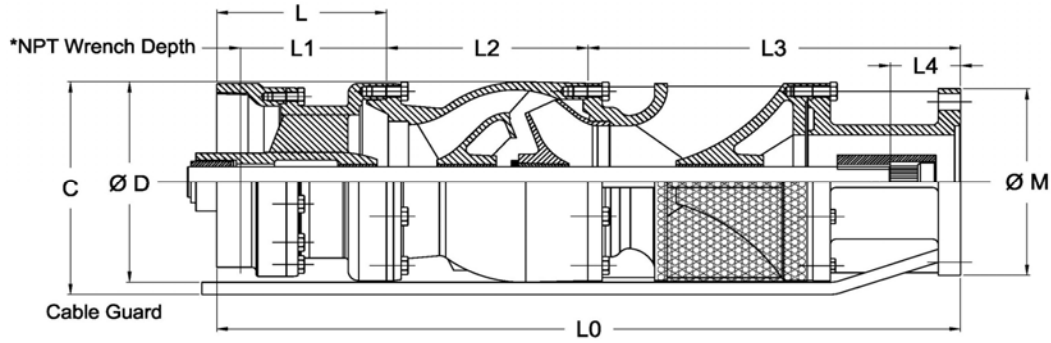


Figure 3.

Table 3. Mechanical Data Submersible Turbine Pumps w/ Bearing Stage

SIZE/MODEL	MOTOR SIZE	DISCHARGE SIZE - NPT	BOWL ASSEMBLY LENGTHS <i>All Dimensions are in Inches and Weights in lbs.</i>								STD. BOWL O.D.	BOWL SHAFT DIA.	SINGLE STAGE SHAFT LGTH.
			L0	L	L1	L2	L3	L4	M	C			
11LL / 11LH	8" 10"-A	*6"	35.53	8.15	6.94	8.76	18.62	3.75	9.13	11.88	11.00	1.69	34.37
		*8"	35.73	8.35	7.03	8.76	18.62	3.75	9.13	11.88	11.00	1.69	34.37
	10"-B	*6"	35.53	8.15	6.94	8.76	18.62	4.75	9.13	11.88	11.00	1.69	33.37
		*8"	35.73	8.35	7.03	8.76	18.62	4.75	9.13	11.88	11.00	1.69	33.37
11ML / 11MH	8" 10"-A	*6"	36.81	8.15	6.94	10.04	18.62	3.75	9.13	11.88	11.00	1.69	35.65
		*8"	37.01	8.35	7.03	10.04	18.62	3.75	9.13	11.88	11.00	1.69	35.65
	10"-B	*6"	36.81	8.15	6.94	10.04	18.62	4.75	9.13	11.88	11.00	1.69	34.65
		*8"	37.01	8.35	7.03	10.04	18.62	4.75	9.13	11.88	11.00	1.69	34.65
14LH	10"-A	*10"	48.86	11.50	10.04	12.13	25.24	3.75	9.13	14.88	14.00	2.19	47.01
		*12"	48.86	11.50	9.89	12.13	25.24	3.75	9.13	14.88	14.00	2.19	47.01
	10"-B	*10"	48.86	11.50	10.04	12.13	25.24	4.75	9.13	14.88	14.00	2.19	46.01
		*12"	48.86	11.50	9.89	12.13	25.24	4.75	9.13	14.88	14.00	2.19	46.01
	14"	*10"	48.86	11.50	10.04	12.13	25.24	4.75	13.25	14.88	14.00	2.19	46.01
*12"		48.86	11.50	9.89	12.13	25.24	4.75	13.25	14.88	14.00	2.19	46.01	
14ML / 14MH	10"-A	*10"	50.23	11.50	10.04	13.50	25.24	3.75	9.13	14.88	14.00	2.19	48.39
		*12"	50.23	11.50	9.89	13.50	25.24	3.75	9.13	14.88	14.00	2.19	48.39
	10"-B	*10"	50.23	11.50	10.04	13.50	25.24	4.75	9.13	14.88	14.00	2.19	47.39
		*12"	50.23	11.50	9.89	13.50	25.24	4.75	9.13	14.88	14.00	2.19	47.39
	14"	*10"	50.23	11.50	10.04	13.50	25.24	4.75	13.25	14.88	14.00	2.19	47.39
		*12"	50.23	11.50	9.89	13.50	25.24	4.75	13.25	14.88	14.00	2.19	47.39
14HL / 14HH	10"-A	*10"	50.37	11.50	10.04	13.63	25.24	3.75	9.13	15.10	14.22	2.19	48.52
		*12"	50.37	11.50	9.89	13.63	25.24	3.75	9.13	15.10	14.22	2.19	48.52
	10"-B	*10"	50.37	11.50	10.04	13.63	25.24	4.75	9.13	15.10	14.22	2.19	47.52
		*12"	50.37	11.50	9.89	13.63	25.24	4.75	9.13	15.10	14.22	2.19	47.52
	14"	*10"	50.37	11.50	10.04	13.63	25.24	4.75	13.25	15.10	14.22	2.19	47.52
		*12"	50.37	11.50	9.89	13.63	25.24	4.75	13.25	15.10	14.22	2.19	47.52
16MH	10"-A	*12"	55.71	12.60	10.99	15.00	28.11	3.75	9.13	16.35	15.47	1.94	53.88
	10"-B 12"	*12"	55.71	12.60	10.99	15.00	28.11	4.75	9.13	16.35	15.47	1.94	52.88
		14"	*12"	55.71	12.60	10.99	15.00	28.11	4.75	13.25	16.35	15.47	1.94
16HH	10"-A	*12"	56.40	12.60	10.99	15.69	28.11	3.75	9.13	16.87	15.99	1.94	54.57
	10"-B 12"	*12"	56.40	12.60	10.99	15.69	28.11	4.75	9.13	16.87	15.99	1.94	53.57
		14"	*12"	56.40	12.60	10.99	15.69	28.11	4.75	13.25	16.87	15.99	1.94

1. *12" - *10" - *8" - *6" Flanged NPT Threaded Connector
2. 16" Bearing Stage Effective Length 7.87.
3. 14" Bearing Stage Effective Length 6.77.
4. 11" Bearing Stage Effective Length 5.59.

Additional Motor Specifications

Motor Size	Flange	Shaft Size	Shaft Projection
14"	14"	2.750	5.000 +/- .016
12"	12"	1.938	5.000 +/- .016
10"	10"-B	1.938	5.000 +/- .016
10"	10"-A	1.688	4.000 +/- .016

SPECIFICATIONS ARE SUBJECT TO CHANGE WITHOUT NOTICE.