

Hydroflo Pumps USA, Inc.

7118 Loblolly Pine Blvd.
Fairview, TN. , 37062



Hydroflo Mechanical Seal Installation

IMPORTANT TO FOLLOW THE FOLLOWING PROCEDURE

Standard Cartridge Seal Construction

- 316SS Housing
- Balanced Seal
- Multi-Spring
- Tungsten Carbide Faces
- Viton Elastomers
- Rated up to 300PSI working pressure

The pumps should be installed and started by a professional installer and a licensed electrician.

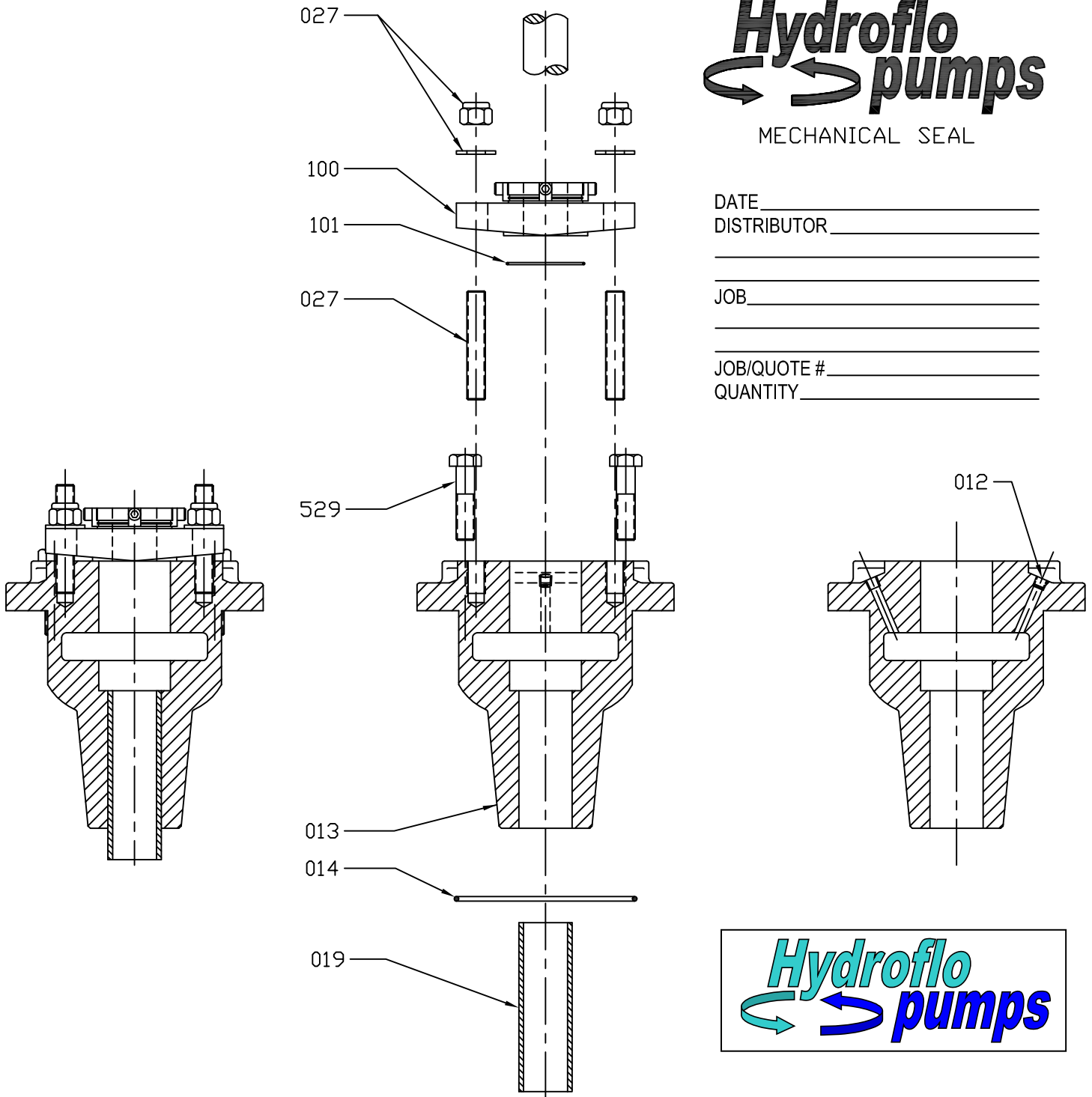
Hydroflo pumps

MECHANICAL SEAL

DATE _____
 DISTRIBUTOR _____

JOB _____

JOB/QUOTE # _____
 QUANTITY _____



CATALOG NUMBER	QTY.	PART NAME	STANDARD MATERIAL (A.S.T.M. DESIGNATION)	SPECIFICATION REQUIREMENT
012	2	NPT PIPE PLUG	COMMERCIAL	
013	1	DUCTILE IRON PACKING BOX	A-536 GR. 65-45-12	
014	1	O-RING, PACKING BOX	BUNA 70-DURD	
019	1	BEARING, PACKING BOX	BRONZE B-505-932	
529	4	SCREW, CAP	COMMERCIAL	
027	2	STUD, FLAT WASHER, AND NUT	STAINLESS STEEL	
100	1	BALANCED, MULTI-SPRING SEAL	316SS HOUSING, TUNGSTEN CARBIDE FACES, VITON ELASTOMER	
101	1	O-RING, SEAL	VITON	



