

Hydroflo pumps

HI STANDARD DISCHARGE HEAD
WITH PRODUCT LUBE PACKING GLAND

DATE _____
 DISTRIBUTOR _____

 JOB _____

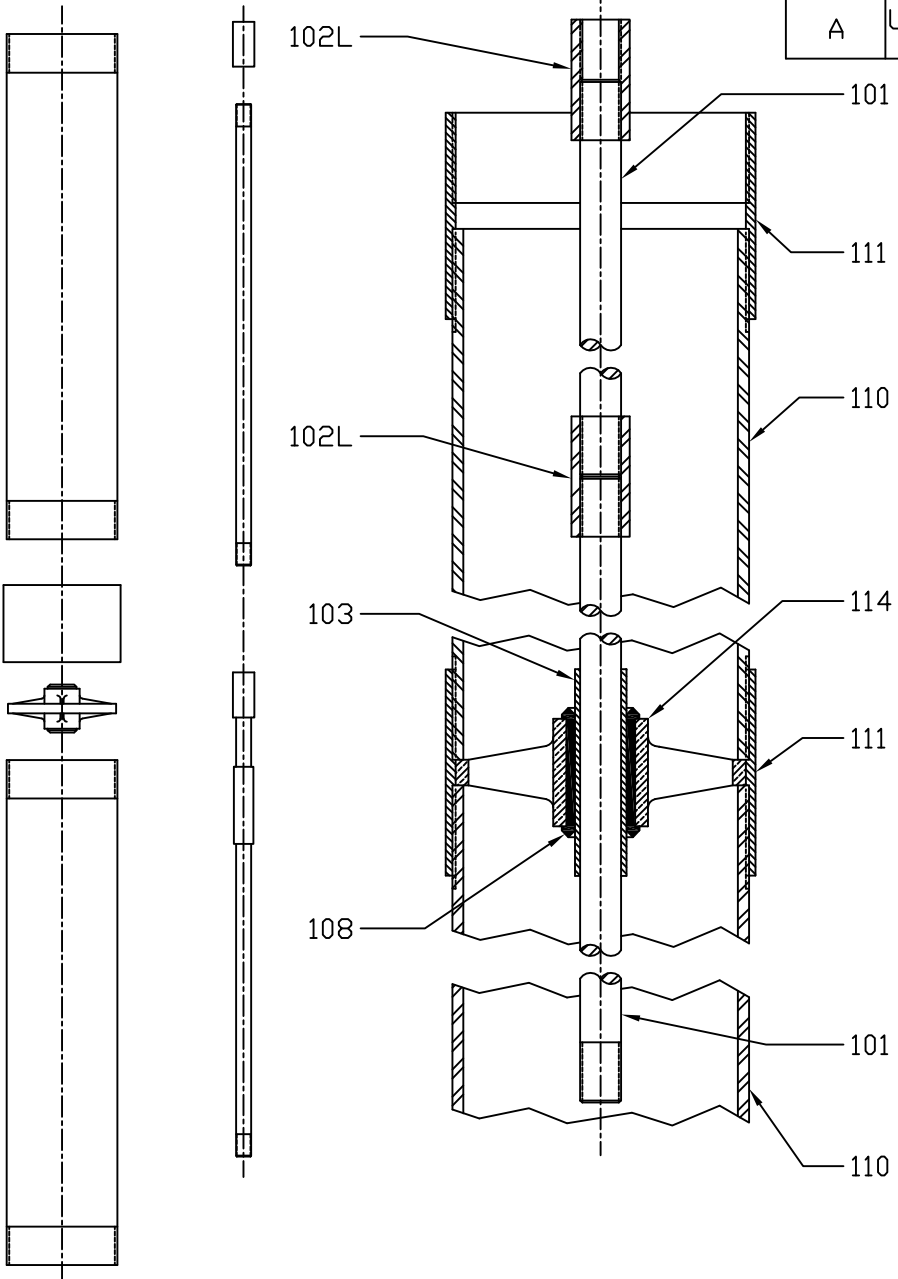
 JOB/QUOTE # _____
 QUANTITY _____

CATALOG NUMBER	QTY.	PART NAME	STANDARD MATERIAL (A.S.T.M. DESIGNATION)	SPECIFICATION REQUIREMENT
001	1	DUCTILE IRON HEAD, DISCHARGE	A-536 GR. 65-45-12	
002		FLANGE, DISCHARGE (THREADED)	CAST IRON A-48 CLS 30	
003		SHAFT, MOTOR	STEEL A-108 GR 1045	
005		COUPLING, FLG'D MOTOR (NOT SHOWN)	STEEL	
007		NUT, HEAD	BRONZE B-584-836	
008	1	SHAFT, HEAD	STEEL A-108 GR 1045	
009	1	SLINGER	RUBBER	
010D		GASKET, DISCHARGE RING (NOT SHOWN)	RUBBER	
011		GUARD, SAFETY (NOT SHOWN)	STEEL	
012	1	FITTING, GREASE ZERK (NOT SHOWN)	COMMERCIAL	
013	1	BOX, PACKING	CAST IRON A-48 CLS 30	
014	1	O-RING, PACKING BOX	BUNA	
017	1	RING, LANTERN	BRONZE B-505-932	
018	6	RING, PACKING	JOHN CRANE 1345	
019	1	BEARING, PACKING BOX	BRONZE B-505-932	
020		KEY, GIB	COMMERCIAL	
529	4	BOLT, PACKING BOX	COMMERCIAL	
026		FLANGE ADAPTER	STEEL	
027	2	STUD, NUT, AND FLAT WASHER	STAINLESS STEEL	
028	1	GLAND, SPLIT PACKING	BRONZE B-584-836	
529		BOLT, DISCHARGE FLANGE	COMMERCIAL	
050	1	PLUG, PRE-LUBE	COMMERCIAL	
102H	1	COUPLING, HEAD SHAFT	STEEL A-108 GR 1018	
118		RING, ALIGNMENT (NOT SHOWN)	STEEL A-53B	
529		BOLTS, FOUND. PLATE (NOT SHOWN)	COMMERCIAL	

SYM.	REVISION	DATE	BY
A	UP-DATED MATERIAL SPEC. & ADDED #114	11-22 06	



THREADED PRODUCT LUBE COLUMN



DATE _____
DISTRIBUTOR _____

JOB _____

JOB/QUOTE # _____
QUANTITY _____

CATALOG NUMBER	QTY.	PART NAME	STANDARD MATERIAL (A.S.T.M. DESIGNATION)	SPECIFICATION REQUIREMENT
101		SHAFT, LINE	SS GR. 416	
102L		COUPLING, LINE SHAFT	SS GR. 416	
103		SLEEVE, SHAFT	SS GR. 304	
108		BEARING, LINE SHAFT	NEOPRENE	
110		PIPE, COLUMN TBE (PRODUCT LUBE)	STEEL A-53B	
111		COUPLING, PRODUCT LUBE	STEEL A-53B	
114		BEARING RETAINER (SPIDER)	SS GR. 416	

SYM.	REVISION	DATE	BY
A	U-DATED MATERIAL SPECS & SCREENS	11-22-06	B.S.

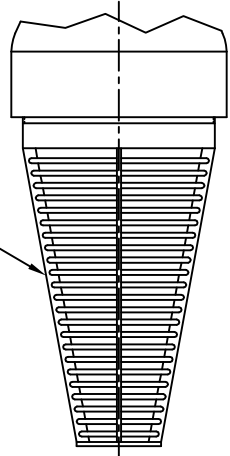
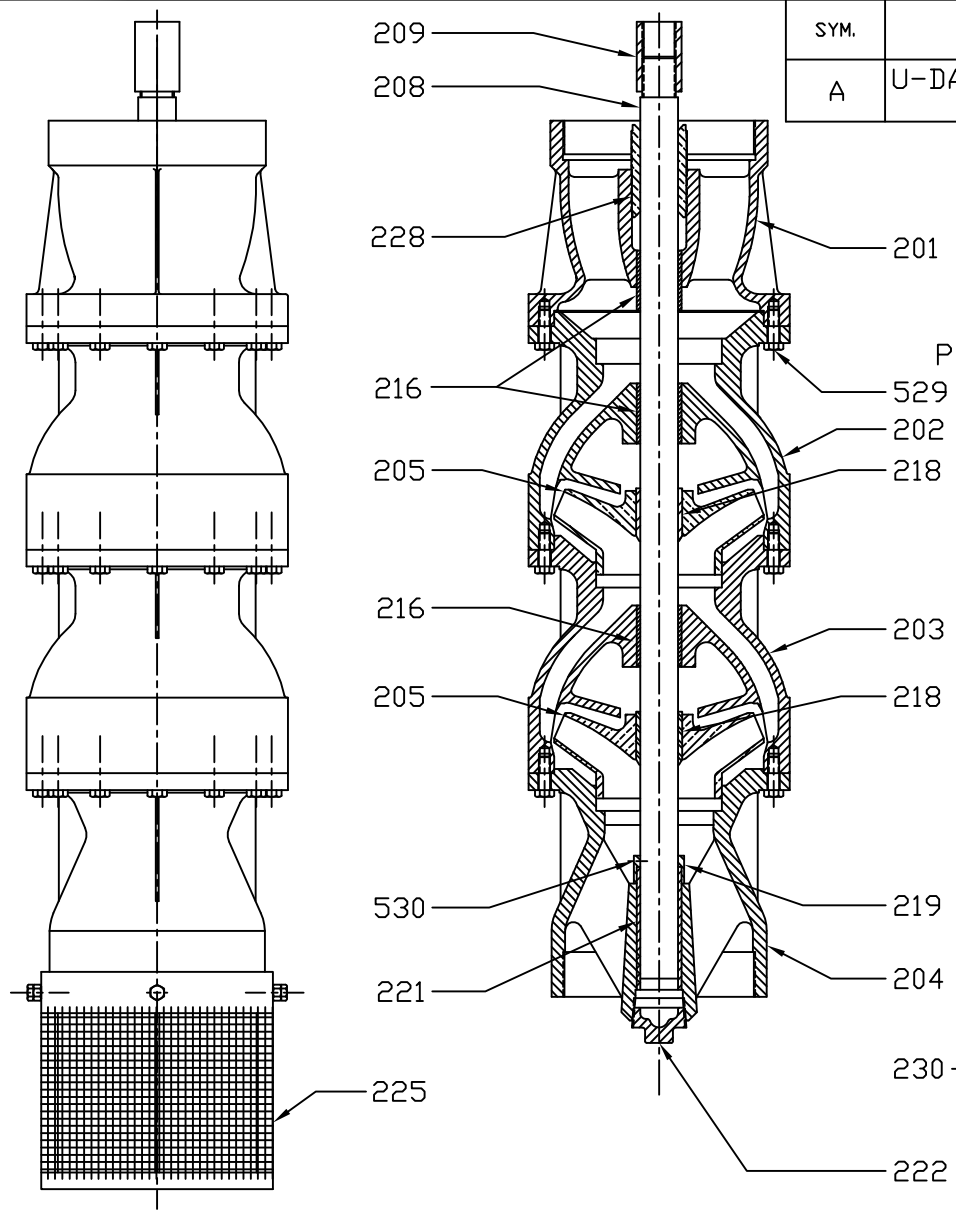


PRODUCT LUBE BOWL ASSEMBLY & PARTS LISTING

DATE _____
DISTRIBUTOR _____

JOB _____

JOB/QUOTE # _____
QUANTITY _____



CATALOG NUMBER	QTY.	PART NAME	STANDARD MATERIAL (A.S.T.M. DESIGNATION)	SPECIFICATION REQUIREMENT
201	1	CASE, DISCHARGE HOUSING	CAST IRON A-48 CLS 30	
202	1	BOWL, TOP HOUSING	CAST IRON A-48 CLS 30	
203		BOWL, INTERMEDIATE HOUSING	CAST IRON A-48 CLS 30	
204	1	CASE, SUCTION HOUSING	CAST IRON A-48 CLS 30	
205		IMPELLER (ENCLOSED) (SEMI-OPEN)	SS GR. 304 or 201	
208	1	SHAFT, BOWL	SS GR. 416	
209	1	COUPLING, BOWL SHAFT	SS GR. 416	
216		BEARING, DISCH. (LOWER) & BOWL	BRONZE B-584-836	
218		COLLET, IMPELLER	SS GR. 416	
219	1	COLLAR, SAND	SS GR. 416	
530	1	SET SCREW, SAND COLLAR	SS GR. 18-8	
221	1	BEARING, SUCTION CASE	BRONZE B-584-836	
222	1	PLUG, GREASE	COMMERCIAL	
529		SCREW, CAP	COMMERCIAL 18-8 SS	
225		SCREEN, BASKET (CLIP ON)	SS GR. 304	
228	1	BEARING, DISCHARGE CASE (UPPER)	BRONZE B-505-932	
230		SCREEN, CONE (THREADED)	FAB, SS GR. 304	

SYM.

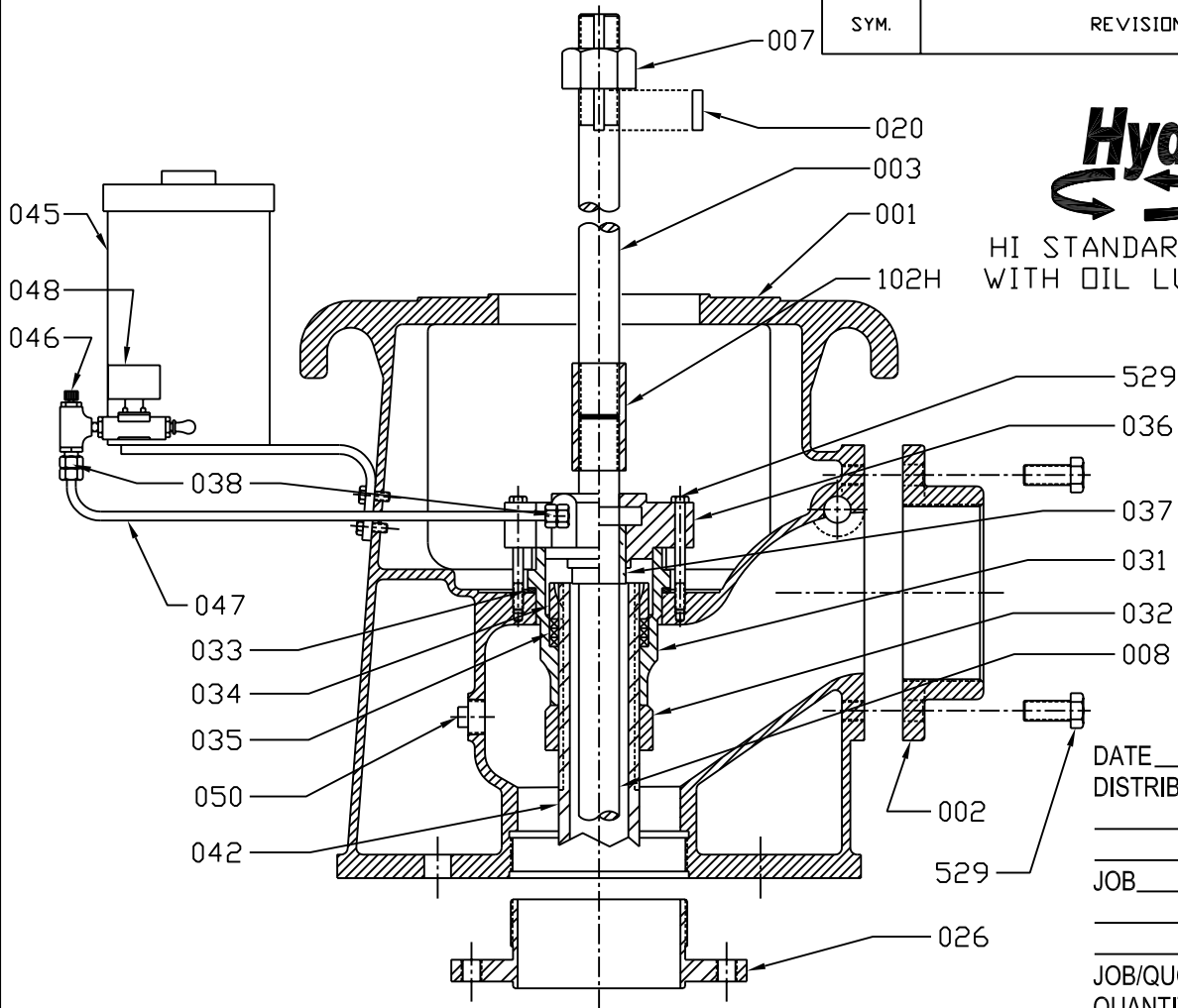
REVISION

DATE

BY

Hydroflo pumps

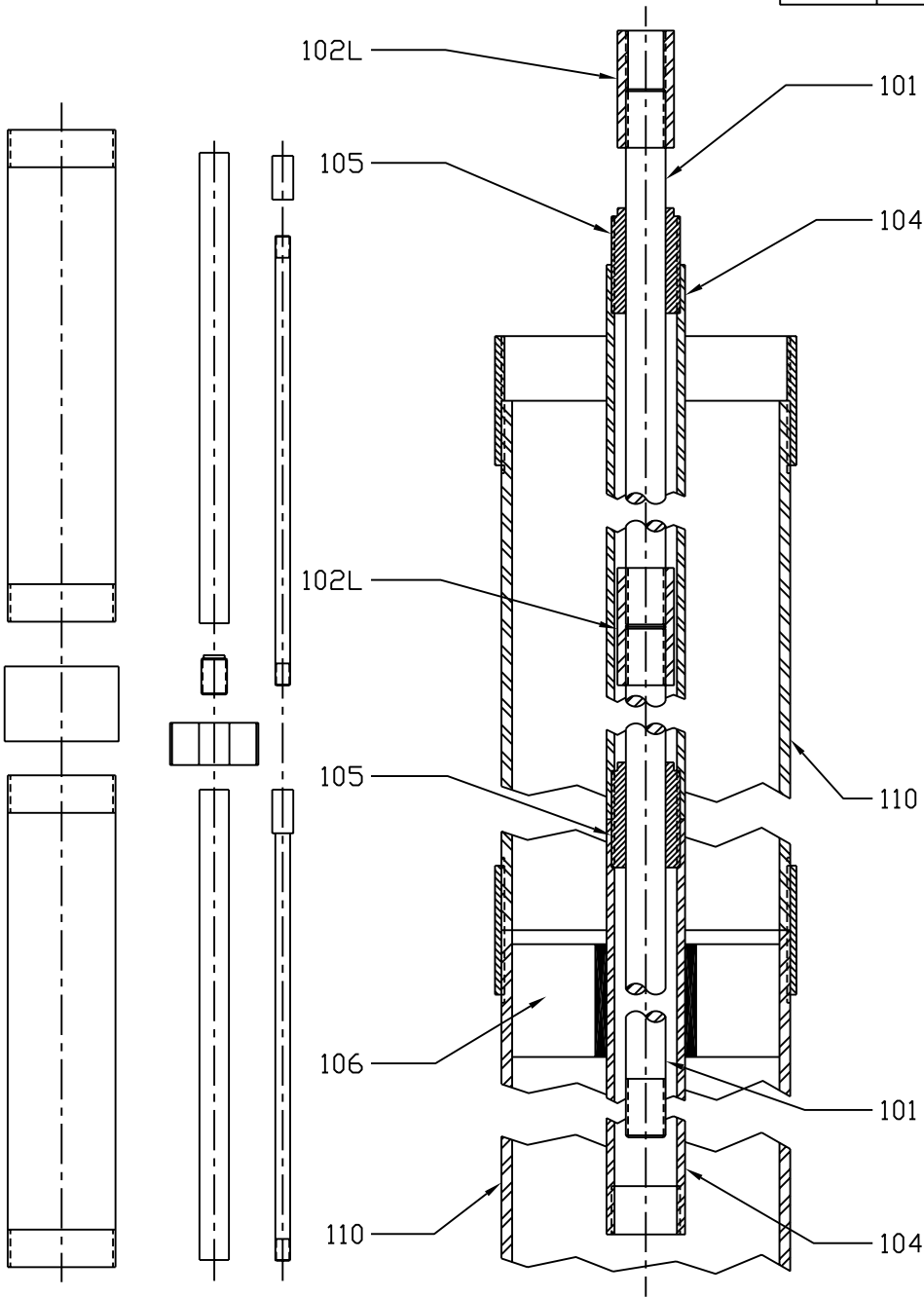
HI STANDARD DISCHARGE HEAD
WITH OIL LUBE PACKING GLAND



DATE _____
DISTRIBUTOR _____
JOB _____
JOB/QUOTE # _____
QUANTITY _____

CATALOG NUMBER	QTY.	PART NAME	STANDARD MATERIAL (A.S.T.M. DESIGNATION)	SPECIFICATION REQUIREMENT
001	1	DUCTILE IRON HEAD, DISCHARGE	A-536 GR. 65-45-12	
002		FLANGE, DISCHARGE (THREADED)	CAST IRON A-48 CLS 30	
003		SHAFT, MOTOR	STEEL A-108 GR 1045	
005		COUPLING, FLG'D MOTOR (NOT SHOWN)	STEEL	
007		NUT, HEAD	BRONZE B-584-836	
008	1	SHAFT. HEAD	STEEL A-108 GR 1045	
010D		GASKET, DISCHARGE RING (NOT SHOWN)	RUBBER	
011		GUARD, SAFETY (NOT SHOWN)	STEEL	
020		KEY, GIB	COMMERCIAL	
529	4	BOLTS, DUST COVER	COMMERCIAL	
026		FLANGE, ADAPTER	STEEL	
529		BOLT, DISCHARGE FLANGE	COMMERCIAL	
031	1	BOX, PACKING	CAST IRON A-48 CLS 30	
032	1	LOCKNUT, OIL TUBE	BRONZE B-584-836	
033	1	GASKET, PACKING BOX	COPPER	
034	1	FOLLOWER, PACKING	BRONZE B-584-836	
035	3	RING, PACKING	GRAPHITE	
036	1	COVER, DUST	CAST IRON A-48 CLS 30	
037	1	BEARING, DUST COVER	BRONZE B-584-836	
038	2	FITTINGS, OIL LINE	BRASS	
042	1	TUBE, EXTENSION	STEEL A-53 SCH. 80 XS	
045		POT, OIL	FAB. STEEL	
046		DRIPPER, OIL	BRASS	
047		LINE, OIL	COPPER	
048		OILER, SOLENOID	COMMERCIAL	
050	1	PLUG, PRE-LUBE	COMMERCIAL	
102H		COUPLING, HEAD SHAFT	STEEL A-108 GR 1018	
118		RING, ALIGNMENT (NOT SHOWN)	STEEL A-53B	
529		BOLTS, FOUND. PLATE (NOT SHOWN)	COMMERCIAL	

A-00039



Hydroflo
pumps

OIL LUBE THREADED COLUMN

DATE _____

DISTRIBUTOR _____

JOB _____

JOB/QUOTE # _____

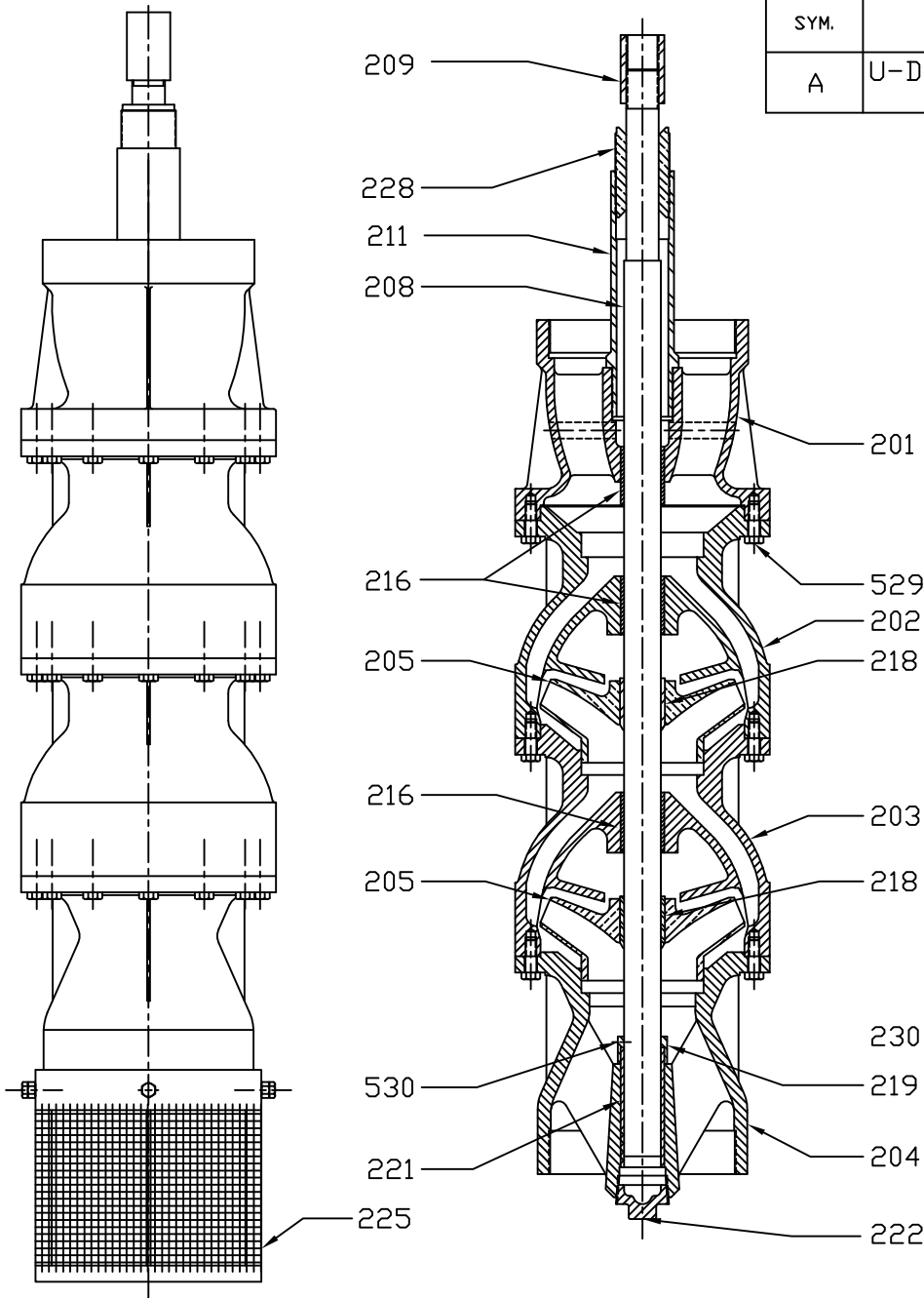
QUANTITY _____

CATALOG NUMBER	QTY.	PART NAME	STANDARD MATERIAL (A.S.T.M. DESIGNATION)	SPECIFICATION REQUIREMENT
101		SHAFT, LINE	STEEL A-108 GR 1045	
102L		COUPLING, LINE SHAFT	STEEL A-108 GR 1018	
104		TUBE, OIL	STEEL A-53 SCH. 80XS	
105		BEARING, LINE SHAFT (COUPLING)	BRONZE B-123 OIL LUBE	
106		SPIDER, CENTERING	NEOPRENE	
110		PIPE, COLUMN (THREADED)	STEEL A-53B	

SYM.	REVISION	DATE	BY
A	U-DATED MATERIAL SPECS & SCREENS	11-22 06	B.S.



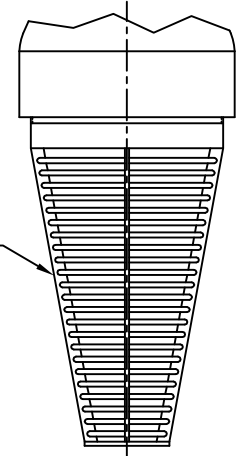
OIL LUBE BOWL ASSEMBLY
& PARTS LISTING



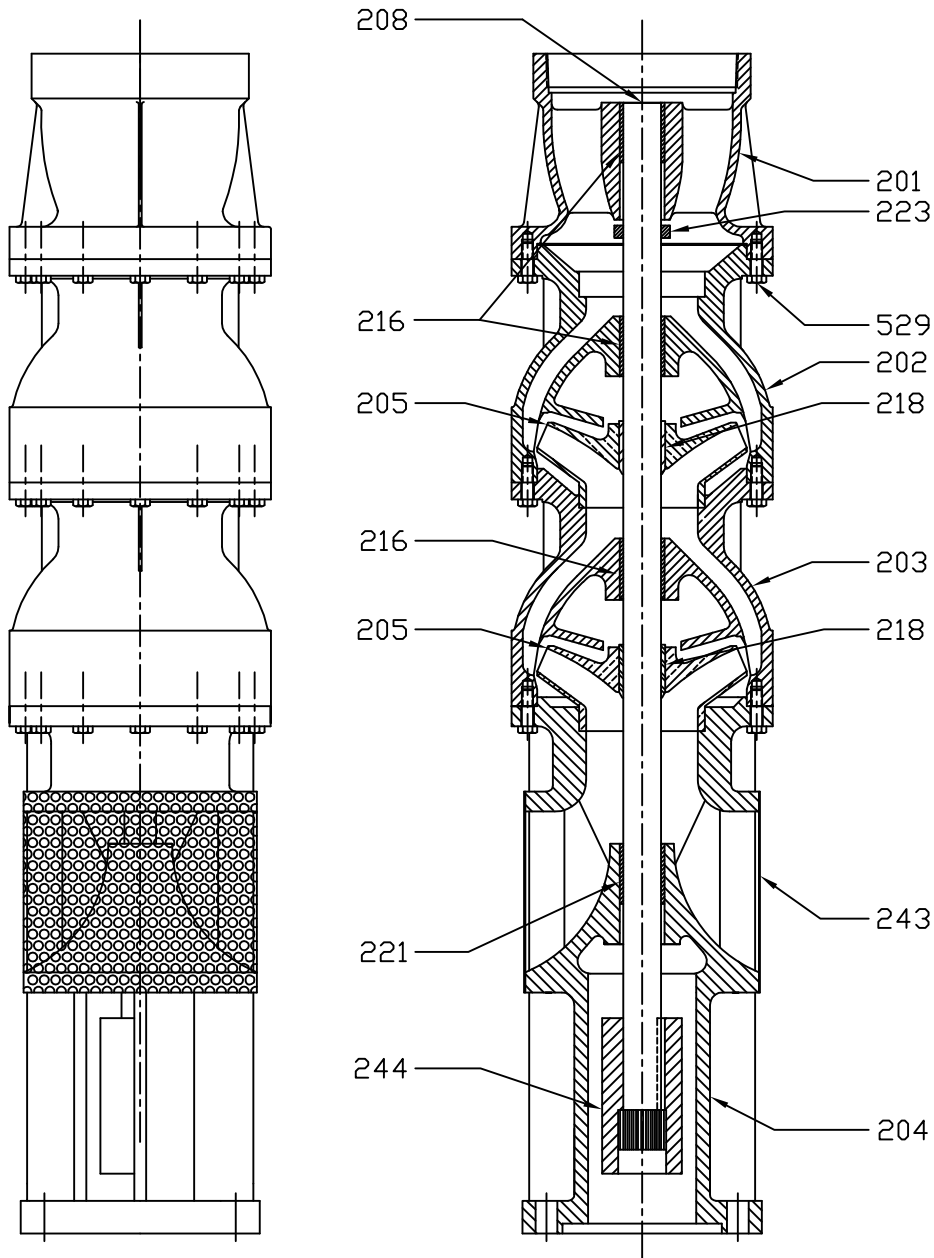
DATE _____
DISTRIBUTOR _____

JOB _____

JOB/QUOTE # _____
QUANTITY _____



CATALOG NUMBER	QTY.	PART NAME	STANDARD MATERIAL (A.S.T.M. DESIGNATION)	SPECIFICATION REQUIREMENT
201	1	CASE, DISCHARGE HOUSING	CAST IRON A-48 CLS 30	
202	1	BOWL, TOP HOUSING	CAST IRON A-48 CLS 30	
203		BOWL, INTERMEDIATE HOUSING	CAST IRON A-48 CLS 30	
204	1	CASE, SUCTION HOUSING	CAST IRON A-48 CLS 30	
205		IMPELLER (ENCLOSED) (SEMI-OPEN)	SS GR. 304 or 201	
208	1	SHAFT, BOWL	SS GR. 416	
209	1	COUPLING, BOWL SHAFT	SS GR. 416	
211	1	ADAPTOR TUBE	STEEL A-108 GR. 1018	
216		BEARING, DISCH. (LOWER) & BOWL	BRONZE B-584-836	
218		COLLET, IMPELLER	SS GR. 416	
219	1	COLLAR, SAND	SS GR. 416	
530	1	SET SCREW, SAND COLLAR	SS GR. 18-8	
221	1	BEARING, SUCTION CASE	BRONZE B-584-836	
222	1	PLUG, GREASE	COMMERCIAL	
529		SCREW, CAP	COMMERCIAL 18-8 SS	
225		SCREEN, BASKET (CLIP ON)	SS GR. 304	
228	1	BEARING, ADAPTOR TUBE	BRONZE B-505-932	
230		SCREEN, CONE (THREADED)	FAB, SS GR. 304	



Hydroflo pumps

SUBMERSIBLE BOWL ASSEMBLY
& PARTS LISTING

12" Bowl and Motor Bracket

DATE _____

DISTRIBUTOR _____

JOB _____

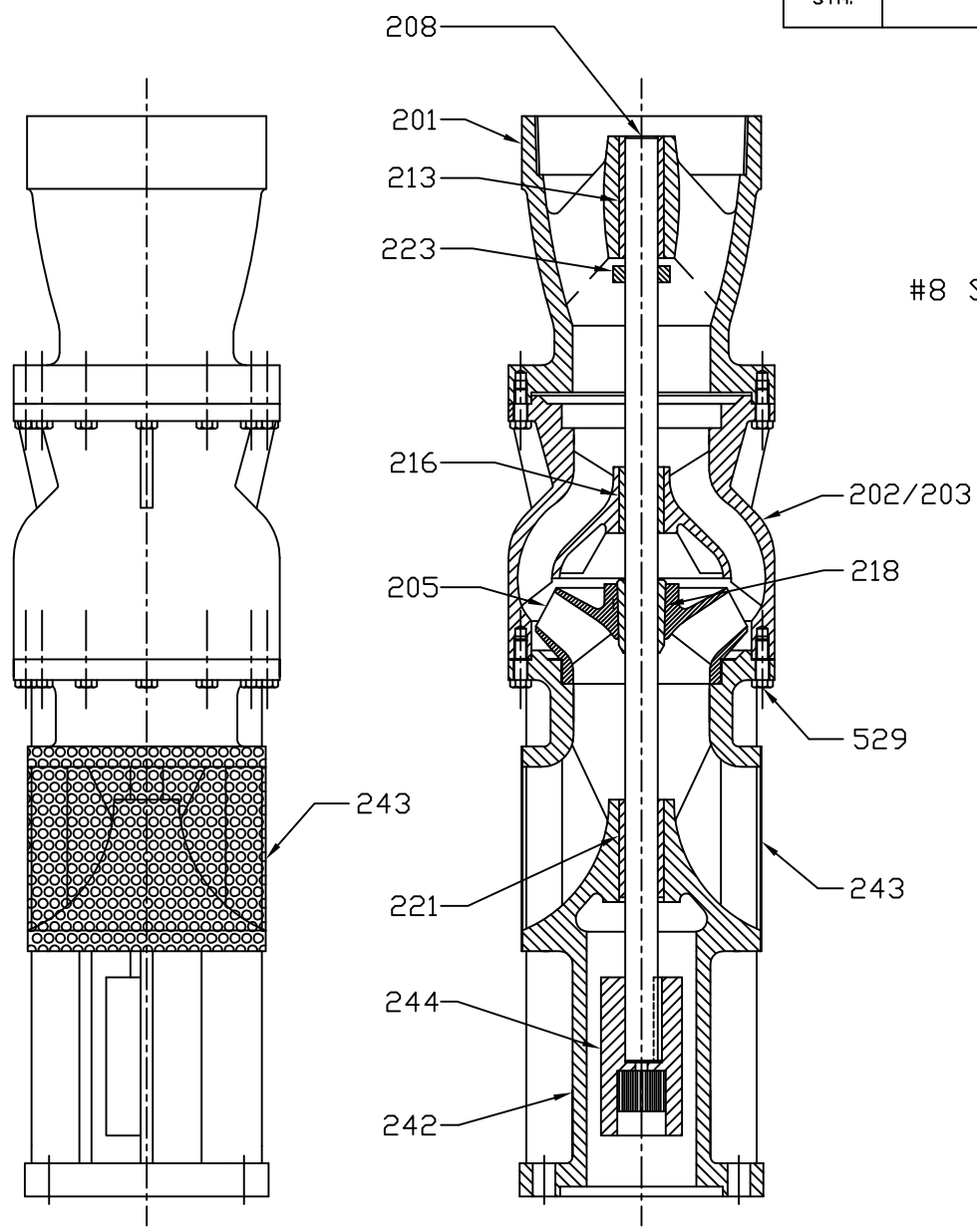
JOB/QUOTE # _____

QUANTITY _____

CATALOG NUMBER	QTY.	PART NAME	STANDARD MATERIAL (A.S.T.M. DESIGNATION)	SPECIFICATION REQUIREMENT
201	1	DISCHARGE CASE, DUCTILE IRON	A-536 GR. 65-45-12	
202	1	BOWL, TOP HOUSING	CAST IRON A-48 CLS 30	
203		BOWL, INTERMEDIATE HOUSING	CAST IRON A-48 CLS 30	
204	1	SUCTION CASE/MTR. BRKT., DUCTILE IRON	A-536 GR. 65-45-12	
205		IMPELLER	SS GR. 304	
208	1	SHAFT, BOWL	SS GR. 416	
216		BEARING, DISCH. & BOWL	BRONZE B-505-932	
218		COLLET, IMPELLER	SS GR. 416	
221	1	BEARING, SUCTION CASE/MTR. BRKT.	BRONZE B-505-932	
223	1	RING, LATERAL STOP	416 STAINLESS STEEL	
243	1	SCREEN	316 STAINLESS STEEL	
244	1	MOTOR COUPLING	416 STAINLESS STEEL	
245		GUARD, WIRE (OPTIONAL) NOT SHOWN		
529		SCREW, CAP	18-8 STAINLESS STEEL	



#8 SUBMERSIBLE BOWL ASSEMBLY
STANDARD

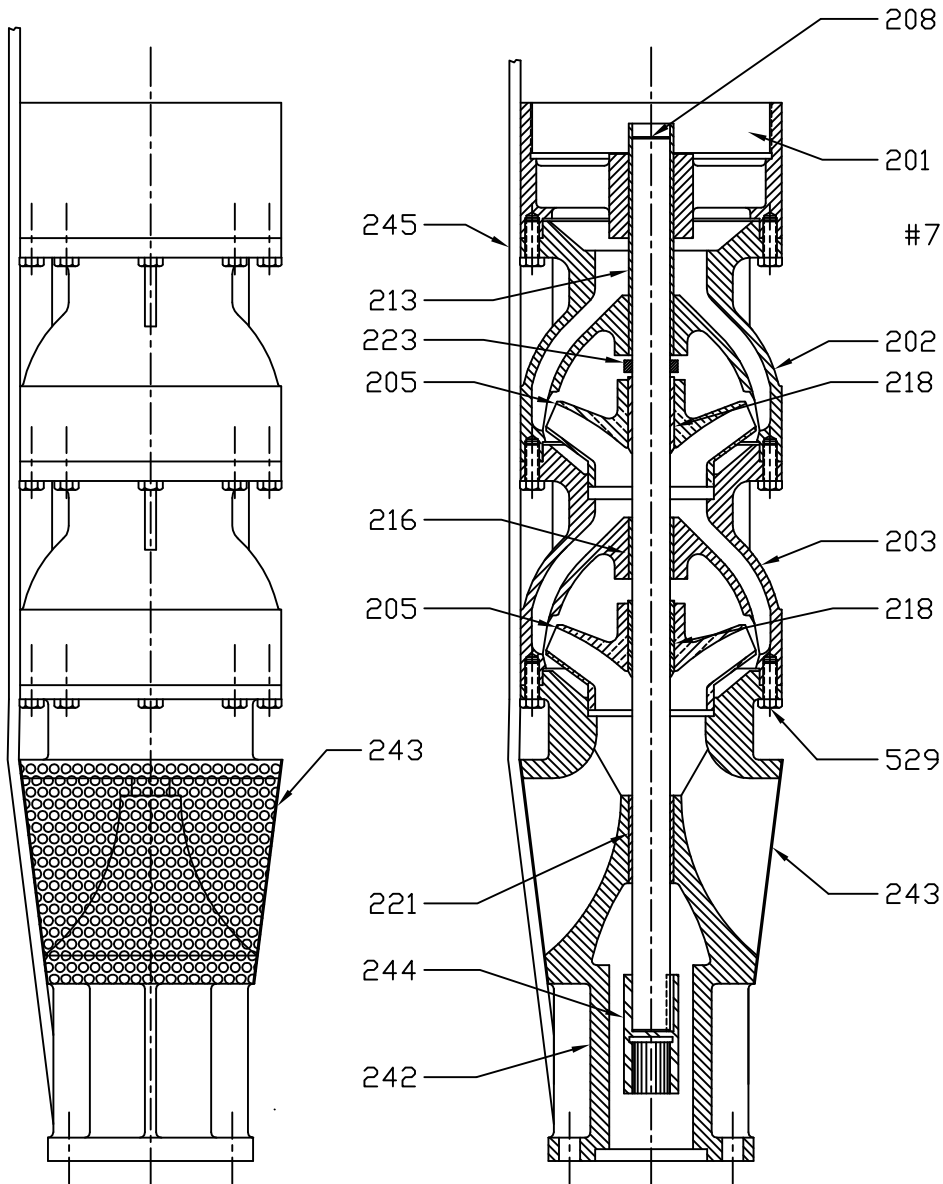


DATE _____
DISTRIBUTOR _____

JOB _____

JOB/QUOTE # _____
QUANTITY _____

CATALOG NUMBER	QTY.	PART NAME	STANDARD MATERIAL (A.S.T.M. DESIGNATION)	SPECIFICATION REQUIREMENT
201	1	DISCHARGE CASE, DUCTILE IRON	A-536 GR. 65-45-12	
202	1	TOP BOWL	CAST IRON A-48 CLS 30	
203		INTERMEDIATE BOWL	CAST IRON A-48 CLS 30	
205		IMPELLER	201 or 304 STAINLESS	STL.
208	1	SHAFT, BOWL	416 STAINLESS STL	
213	1	BEARING, DISCHARGE CASE	BRONZE B-505-932	
216		BEARING, TOP BOWL/INTERMEDIATE BOWL	BRONZE B-505-932	
218		COLLET, IMPELLER	416 STAINLESS STL.	
221	1	BEARING, SUCTION CASE/MOTOR BRKT.	BRONZE B-505-932	
223	1	RING, LATERAL STOP	416 STAINLESS STL	
242	1	SUCTION CASE/MOTOR BRKT., DUCTILE IRON	A-536 GR. 65-45-12	
243	1	SCREEN	316 STAINLESS STL.	
244	1	COUPLING, MOTOR	416 STAINLESS STL.	
245	1	GUARD, WIRE (OPTIONAL) NOT SHOWN		
529		SCREW, CAP	18-8 STAINLESS STL.	



Hydroflo
pumps

#7 SUBMERSIBLE BOWL ASSEMBLY
STANDARD

DATE _____

DISTRIBUTOR _____

JOB _____

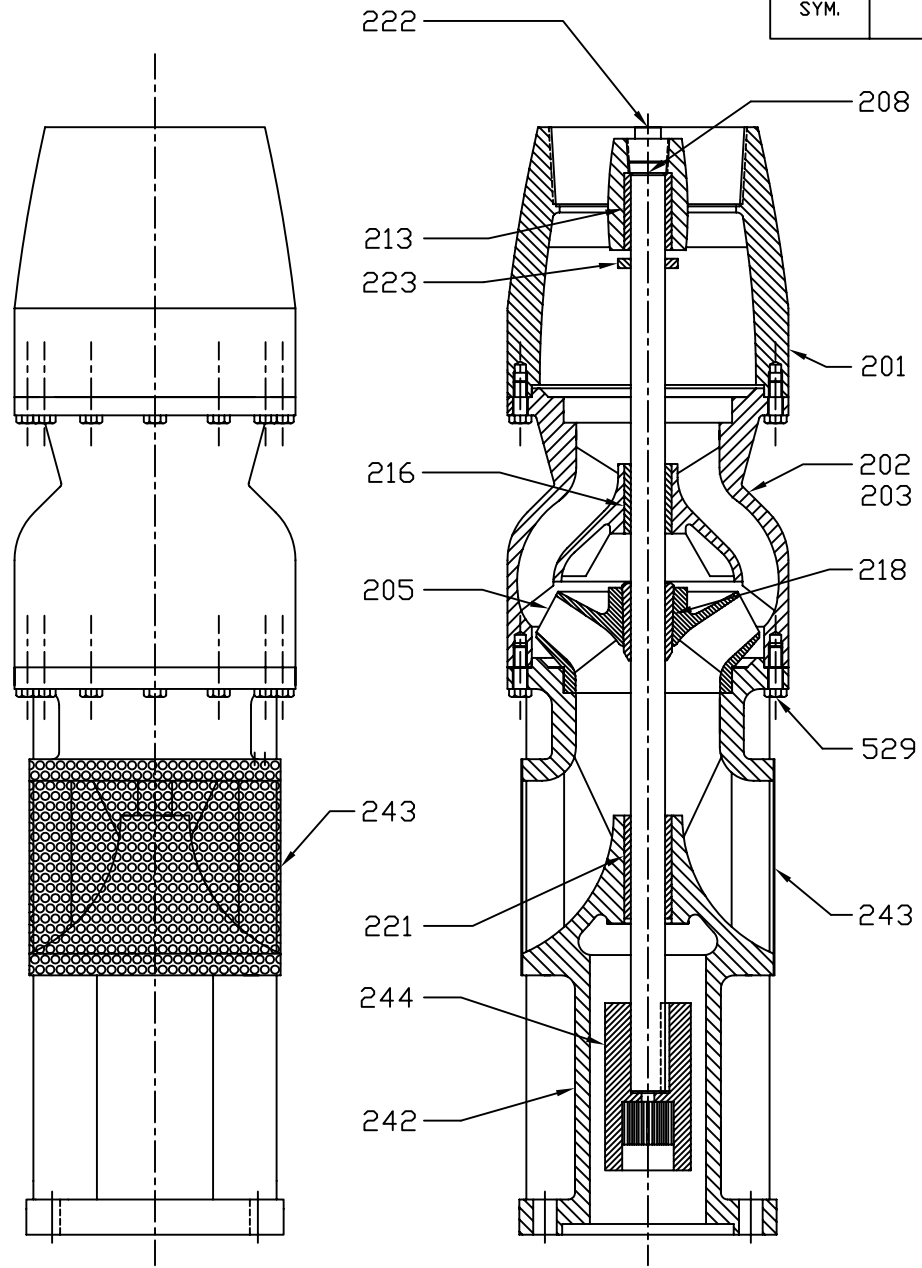
JOB/QUOTE # _____

QUANTITY _____

CATALOG NUMBER	QTY.	PART NAME	STANDARD MATERIAL (A.S.T.M. DESIGNATION)	SPECIFICATION REQUIREMENT
201	1	DISCHARGE HOUSING, DUCTILE IRON	A-536 GR. 65-45-12	
202	1	TOP BOWL	A-536 GR. 65-45-12	
203		INTERMEDIATE BOWL - Lined	A-536 GR. 65-45-12	
205		IMPELLER	201 or 304 Stainless Steel	
208	1	SHAFT, BOWL	416 STAINLESS STL.	
213	1	BEARING, DISCHARGE CASE	BRONZE B-505-936	
216		BEARING, INTERMEDIATE BOWL	BRONZE B-505-936	
218		COLLET, IMPELLER	416 STAINLESS STL.	
221	1	BEARING, SUCTION CASE/MOTOR BRKT.	BRONZE B-505-936	
223	1	RING, LATERAL SPACER	416 STAINLESS STL.	
242	1	SUCTION CASE/MOTOR BRKT., DUCTILE IRON	A-536 GR. 65-45-12	
243	1	SCREEN	316 STAINLESS STL.	
244	1	COUPLING, MOTOR	416 STAINLESS STL.	
245	1	GUARD, WIRE (OPTIONAL)		
529		SCREW, CAP	18-8 STAINLESS STL.	



6L & 6H
SUBMERSIBLE BOWL ASSEMBLY
STANDARD



DATE _____
DISTRIBUTOR _____

JOB _____

JOB/QUOTE # _____
QUANTITY _____

CATALOG NUMBER	QTY.	PART NAME	STANDARD MATERIAL (A.S.T.M. DESIGNATION)	SPECIFICATION REQUIREMENT
201	1	DISCHARGE HOUSING, DUCTILE IRON	A-536 GR. 65-45-12	
202	1	TOP BOWL	CAST IRON A-48 CLS 30	
203		INTERMEDIATE BOWL	CAST IRON A-48 CLS 30	
205		IMPELLER	304 STAINLESS STL.	
208	1	SHAFT, BOWL	416 STAINLESS STL.	
213	1	BEARING, DISCHARGE CASE	BRONZE B-505-936	
216		BEARING, INTERMEDIATE BOWL	BRONZE B-505-936	
218		COLLET, IMPELLER	416 STAINLESS STL.	
221	1	BEARING, SUCTION CASE/MOTOR BRKT.	BRONZE B-505-936	
222	1	PLUG, GREASE	COMMERCIAL	
223	1	RING, LATERAL SPACER	416 STAINLESS STL.	
242	1	SUCTION CASE/MOTOR BRKT., DUCTILE IRON	A-536 GR. 65-45-12	
243	1	SCREEN	316 STAINLESS STL.	
244	1	COUPLING, MOTOR	416 STAINLESS STL.	
245	1	GUARD, WIRE (OPTIONAL NOT SHOWN)		
529		SCREW, CAP	18-8 STAINLESS STL.	