

Hydroflo
pumps
A **Taco** COMPANY

HI STANDARD DISCHARGE HEAD
WITH PRODUCT LUBE PACKING GLAND

DATE _____
DISTRIBUTOR _____

JOB _____

JOB/QUOTE # _____
QUANTITY _____

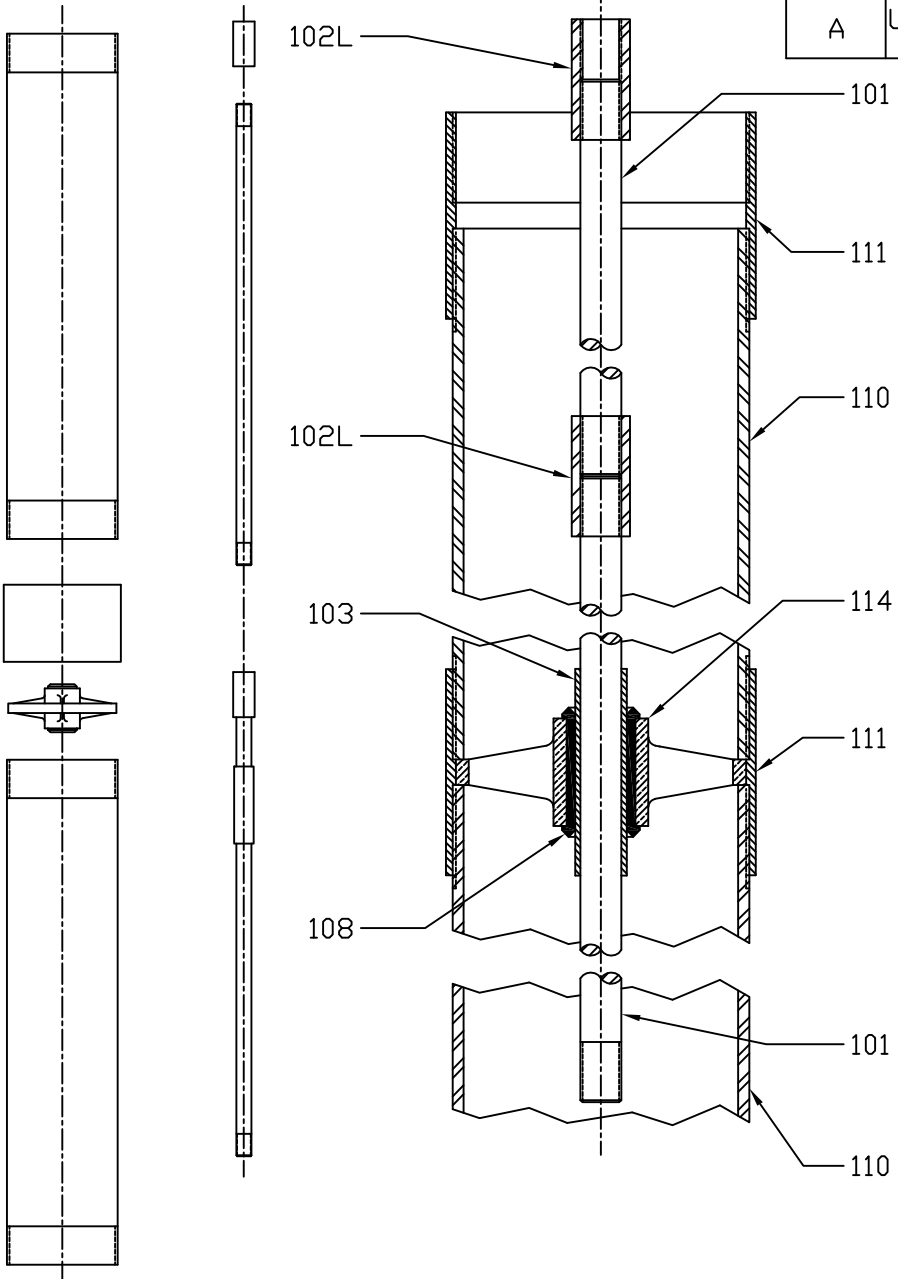
CATALOG NUMBER	QTY.	PART NAME	STANDARD MATERIAL (A.S.T.M. DESIGNATION)	SPECIFICATION REQUIREMENT
001	1	DUCTILE IRON HEAD, DISCHARGE	A-536 GR. 65-45-12	
002		FLANGE, DISCHARGE (THREADED)	CAST IRON A-48 CLS 30	
003		SHAFT, MOTOR	STEEL A-108 GR 1045	
005		COUPLING, FLG'D MOTOR (NOT SHOWN)	STEEL	
007		NUT, HEAD	BRONZE B-584-836	
008	1	SHAFT. HEAD	STEEL A-108 GR 1045	
009	1	SLINGER	RUBBER	
010D		GASKET, DISCHARGE RING (NOT SHOWN)	RUBBER	
011		GUARD, SAFETY (NOT SHOWN)	STEEL	
012	1	FITTING, GREASE ZERK (NOT SHOWN)	COMMERCIAL	
013	1	BOX, PACKING	CAST IRON A-48 CLS 30	
014	1	O-RING, PACKING BOX	BUNA	
017	1	RING, LANTERN	BRONZE B-505-932	
018	6	RING, PACKING	JOHN CRANE 1345	
019	1	BEARING, PACKING BOX	BRONZE B-505-932	
020		KEY, GIB	COMMERCIAL	
529	4	BOLT, PACKING BOX	COMMERCIAL	
026		FLANGE ADAPTER	STEEL	
027	2	STUD, NUT, AND FLAT WASHER	STAINLESS STEEL	
028	1	GLAND, SPLIT PACKING	BRONZE B-584-836	
529		BOLT, DISCHARGE FLANGE	COMMERCIAL	
050	1	PLUG, PRE-LUBE	COMMERCIAL	
102H	1	COUPLING, HEAD SHAFT	STEEL A-108 GR 1018	
118		RING, ALIGNMENT (NOT SHOWN)	STEEL A-53B	
529		BOLTS, FOUND. PLATE (NOT SHOWN)	COMMERCIAL	

A-00031N

SYM.	REVISION	DATE	BY
A	UP-DATED MATERIAL SPEC. & ADDED #114	11-22 06	



THREADED PRODUCT LUBE COLUMN



DATE _____
DISTRIBUTOR _____

JOB _____

JOB/QUOTE # _____
QUANTITY _____

CATALOG NUMBER	QTY.	PART NAME	STANDARD MATERIAL (A.S.T.M. DESIGNATION)	SPECIFICATION REQUIREMENT
101		SHAFT, LINE	SS GR. 416	
102L		COUPLING, LINE SHAFT	SS GR. 416	
103		SLEEVE, SHAFT	SS GR. 304	
108		BEARING, LINE SHAFT	NEOPRENE	
110		PIPE, COLUMN TBE (PRODUCT LUBE)	STEEL A-53B	
111		COUPLING, PRODUCT LUBE	STEEL A-53B	
114		BEARING RETAINER (SPIDER)	SS GR. 416	

SYM.	REVISION	DATE	BY
A	U-DATED MATERIAL SPECS & SCREENS	11-22-06	B.S.



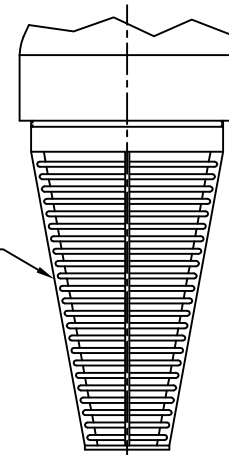
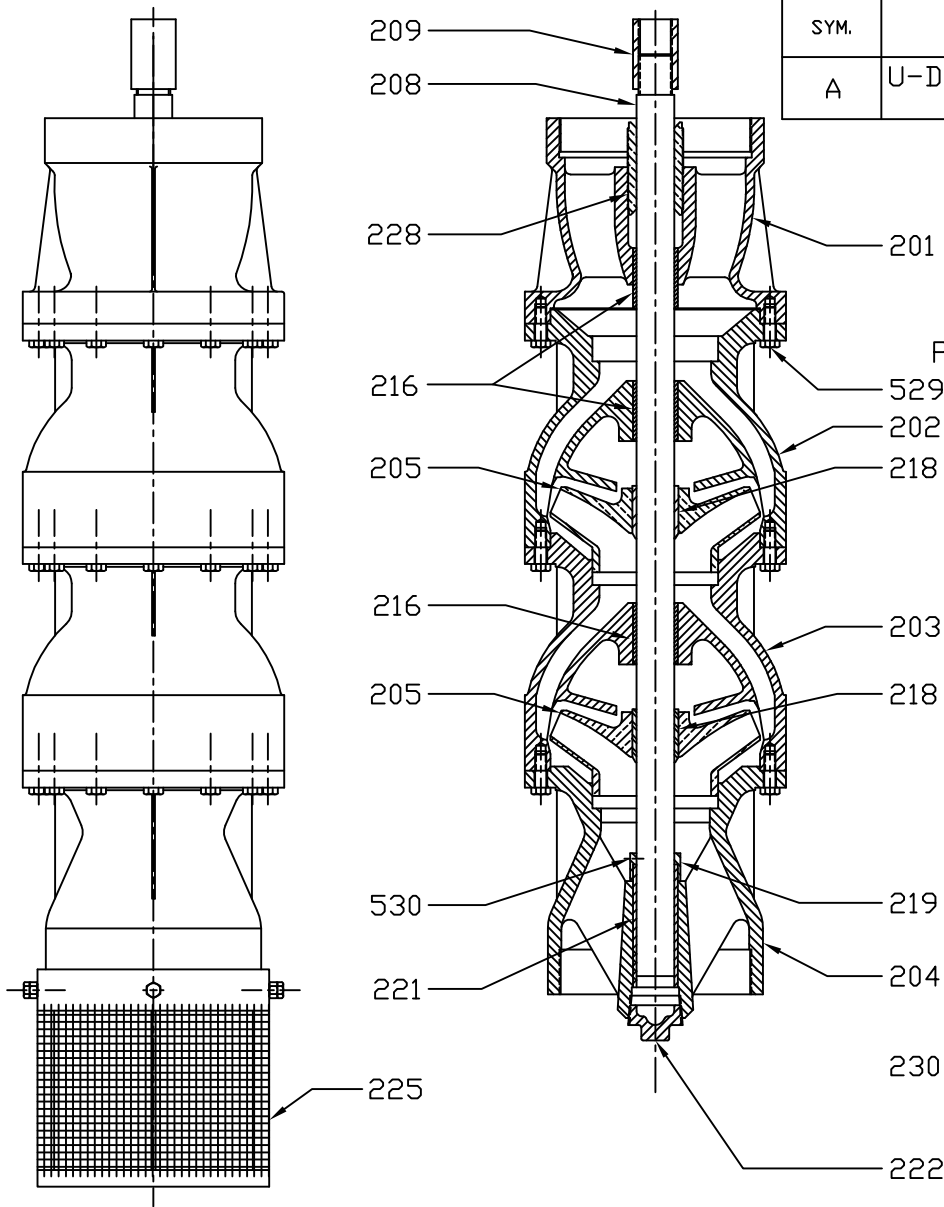
A Taco COMPANY

PRODUCT LUBE BOWL ASSEMBLY & PARTS LISTING

DATE _____
DISTRIBUTOR _____

JOB _____

JOB/QUOTE # _____
QUANTITY _____



CATALOG NUMBER	QTY.	PART NAME	STANDARD MATERIAL (A.S.T.M. DESIGNATION)	SPECIFICATION REQUIREMENT
201	1	CASE, DISCHARGE HOUSING	CAST IRON A-48 CLS 30	
202	1	BOWL, TOP HOUSING	CAST IRON A-48 CLS 30	
203		BOWL, INTERMEDIATE HOUSING	CAST IRON A-48 CLS 30	
204	1	CASE, SUCTION HOUSING	CAST IRON A-48 CLS 30	
205		IMPELLER (ENCLOSED) (SEMI-OPEN)	SS GR. 304 or 201	
208	1	SHAFT, BOWL	SS GR. 416	
209	1	COUPLING, BOWL SHAFT	SS GR. 416	
216		BEARING, DISCH. (LOWER) & BOWL	BRONZE B-584-836	
218		COLLET, IMPELLER	SS GR. 416	
219	1	COLLAR, SAND	SS GR. 416	
530	1	SET SCREW, SAND COLLAR	SS GR. 18-8	
221	1	BEARING, SUCTION CASE	BRONZE B-584-836	
222	1	PLUG, GREASE	COMMERCIAL	
529		SCREW, CAP	COMMERCIAL 18-8 SS	
225		SCREEN, BASKET (CLIP ON)	SS GR. 304	
228	1	BEARING, DISCHARGE CASE (UPPER)	BRONZE B-505-932	
230		SCREEN, CONE (THREADED)	FAB, SS GR. 304	