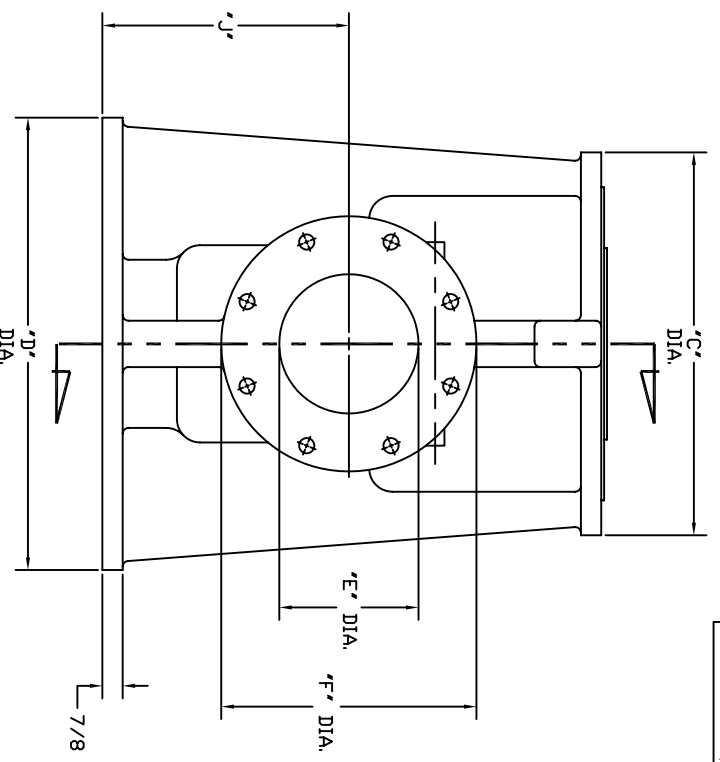
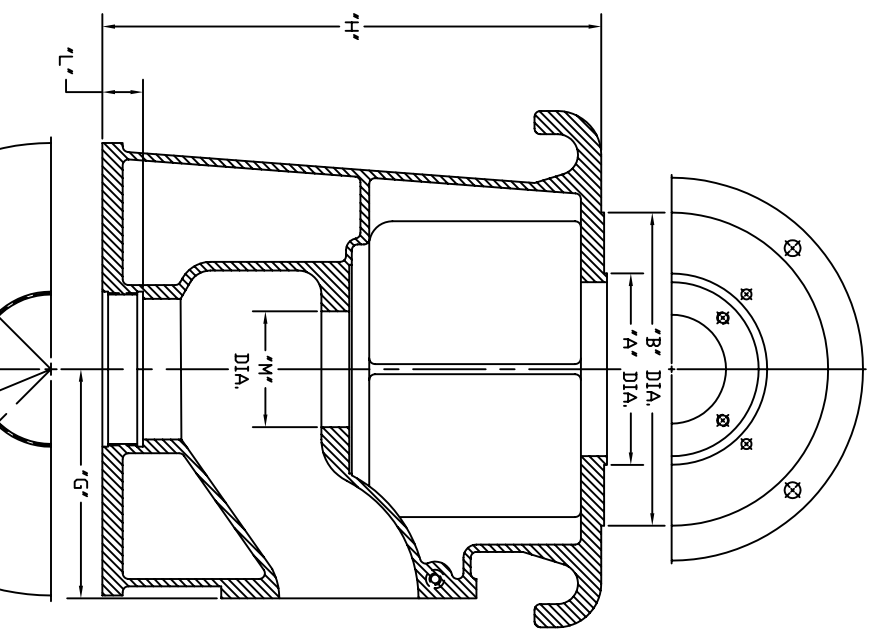


F	02-07-06	B.S.	DRN. BY B.S.	DRN. BY B.S.
E	01-26-06	B.S.	DIM. VAS 16-1/2	
D	01-23-06	B.S.	ADDED "M" & WT.	
C	07-15-05	B.S.	ADDED SIZE HF-12	
B	06-13-05	B.S.	ADDED SIZE HF-4	
A	12-21-99	B.S.	ADDED REVISION	

REV.	DATE	BY	ECN
REVISIONS			



(4) HOLES 1-1/4" DIA. DRILL THRU
EQUALLY SPACED ON A "K" B.C.
STRADDLE CENTERLINE

SIZE	"A"	"B"	"C"	"D"	"E"	"F"	"G"	"H"	"J"
HF-4	8-1/4	N/A	12	19-3/8	4	9	9-7/8	21-1/2	210-5/8
HF-6	8-1/4	13-1/2	16-1/2	19-1/2	6	11	9-7/8	21-1/2	210-5/8
HF-8	8-1/4	13-1/2	16-1/2	21-1/4	8	13-1/2	9-7/8	21-1/2	210-5/8
HF-10	N/A	13-1/2	20	21-1/4	10	16	9-7/8	21-1/2	210-5/8
HF-12	N/A	13-1/2	20	24-7/8	12	19	14	23	12

SIZE	"K"	"L"	"M"	WT.
HF-4	17	1-3/4	4.687	186
HF-6	17	1-3/4	4.687	262
HF-8	18-3/4	2	4.687	279
HF-10	18-3/4	2-3/4	4.687	311
HF-12	22-3/4	2-1/2	5.5625	630



DESCRIPTION:
DUCTILE IRON DISCHARGE HEAD
W/ 125 LB. ANSI DISCHARGE FLANGE

DRN. BY B.S.
DATE 05-17-99

MATERIAL
DRAWG NO A-00028
REV

ALL DIMENSIONS IN INCHES
ALL WEIGHTS IN POUNDS